

**OPERATION AND MAINTENANCE MANUAL, A04 / I04 PUMP
ASSEMBLIES**

Rev	ECN No.	Date	Reviewed By	Approved By	Status
A	5021211	23-APR-2009	Taylor, Justin	Singleterry, Ronald	RELEASED

Summary:

This is a manual for FMC A04 and I04 duplex piston pumps. These pumps are direct drive (no pinion shaft) and have a stroke length of 1.00". The continuous power rating is 2.6 hp (1.9 kilowatts). Refer to part number 5266228 for printing information.

OMM50001254

Table of Contents

Section	Title	Page
1.0	A04 / I04 Pump Features	7
2.0	Storage Instructions	9
2.1	Short Term Storage.....	9
2.2	Short Term Storage for Severe Environments	9
2.3	Returning a Stored Pump to Operation	9
2.4	Precautions during Freezing Weather	9
3.0	Installation Guidelines	10
3.1	General Location.....	10
3.2	Mounting Pump to Foundation and Power Source.....	10
3.2.1	A04 Pump Mounting Guideline.....	11
3.2.2	I04 Pump Mounting Guideline	11
3.3	Suction Piping Recommendations	11
3.4	Discharge Piping Recommendations	12
3.5	Multiple Pump Systems.....	13
4.0	How to Start a Pump	14
5.0	Lubrication of Power End	16
5.1	Recommended Lubricants	16
5.2	Oil Changes	16
6.0	Inspection and Preventative Maintenance Chart	18
7.0	Estimated Life of Wearing Components	19
8.0	Component Parts List	20
8.1	A04 / I04 Fluid End.....	21
8.2	A04 Power End (Vertically Mounted)	22
8.3	I04 Power End (Horizontally Mounted).....	23

9.0	Service Procedures.....	25
9.1	Replacing Cup Pistons.....	26
9.2	Replacing Suction and Discharge Valves	30
9.3	Servicing the Power End.....	33
10.0	Fastener Torque Requirements	37
11.0	Critical Clearances.....	38
12.0	Trouble-Shooting Pumps	39
13.0	Ordering Parts	42
14.0	Glossary of Commonly Used Terms	43
15.0	Reference Information	46
16.0	MAINTENANCE LOG	47

List of Tables

Tables	Page
Table 1: MAWP for Steel Pipe	12
Table 2: Recommended Lubricant Chart	17
Table 3: Maintenance Chart	18
Table 4: Component Parts List	24
Table 5: Torque Requirements	37
Table 6: Critical Clearances.....	38

List of Figures

Figures	Page
Figure 1: A04 Pump Features.....	7
Figure 2: I04 Pump Features	8
Figure 3: A04 / I04 Fluid End	21
Figure 4: A04 Power End.....	22
Figure 5: I04 Power End.....	23
Figure 6: Valve Seat Removal Tool (1250638)	32

Important Safety Instructions



WARNING: Many accidents occur every year through careless use of mechanical equipment. You can avoid hazards associated with high pressure equipment by always following the safety precautions listed below.

- **SHUT DOWN OR DISENGAGE** the pump and all accessory equipment before attempting any type of service. Failure to do this could cause electrical shock or injury from moving pump parts or components under high pressure. Always adhere to “Lock Out” and “Tag Out” procedures. For mobile equipment, be sure engines and hydraulics cannot be accidentally started.
- **BLEED OFF ALL PRESSURE** to the pump and piping before performing any maintenance on the pump. Failure to do so may spray water or chemicals at high pressure or high temperature onto service personnel.
- **NEVER OPERATE THE PUMP WITHOUT A PRESSURE RELIEF VALVE**, rupture disc, or other type of properly sized over pressure safety device installed.
- **ALWAYS USE A PRESSURE GAGE** when operating the pump. The pressure must never exceed the maximum pressure rating of the pump or damage may occur. This damage can cause leakage or structural damage resulting in injury to personnel.
- **ENSURE THAT NO VALVES ARE PLACED BETWEEN THE PUMP AND PRESSURE RELIEF VALVE.** If the pump is started with a closed or restricted valve in line before the pressure relief valve, the pump may exceed the rated or design pressure limits and rupture causing injury to personnel.
- **USE SHIELDS OR COVERS AROUND PUMPS** when pumping hot water, chemicals, or other hazardous liquids. This precaution can prevent the exposure of service personnel to these fluids should leakage occur.
- **ALWAYS USE GUARDS** on all belt drives, couplings, and shafts. Guards can prevent personnel from becoming entangled and injured by rotating and reciprocating parts.
- **USE EXTREME CAUTION WITH SOLVENTS** used to clean or degrease equipment. Most solvents are highly flammable and toxic. Observe all safety instructions on packaging.
- **FOLLOW NORMAL ENVIRONMENTAL GUIDELINES WHEN** fluids, lubricants, or solvents are disposed of or spilled.
- **NEVER MODIFY THE PUMP** to perform beyond its rated specifications without proper authorization in writing from FMC.

1.0 A04 / I04 Pump Features

Exceptional design, workmanship, materials, and over 100 years of pump building experience are features you'll find built into every FMC pump.

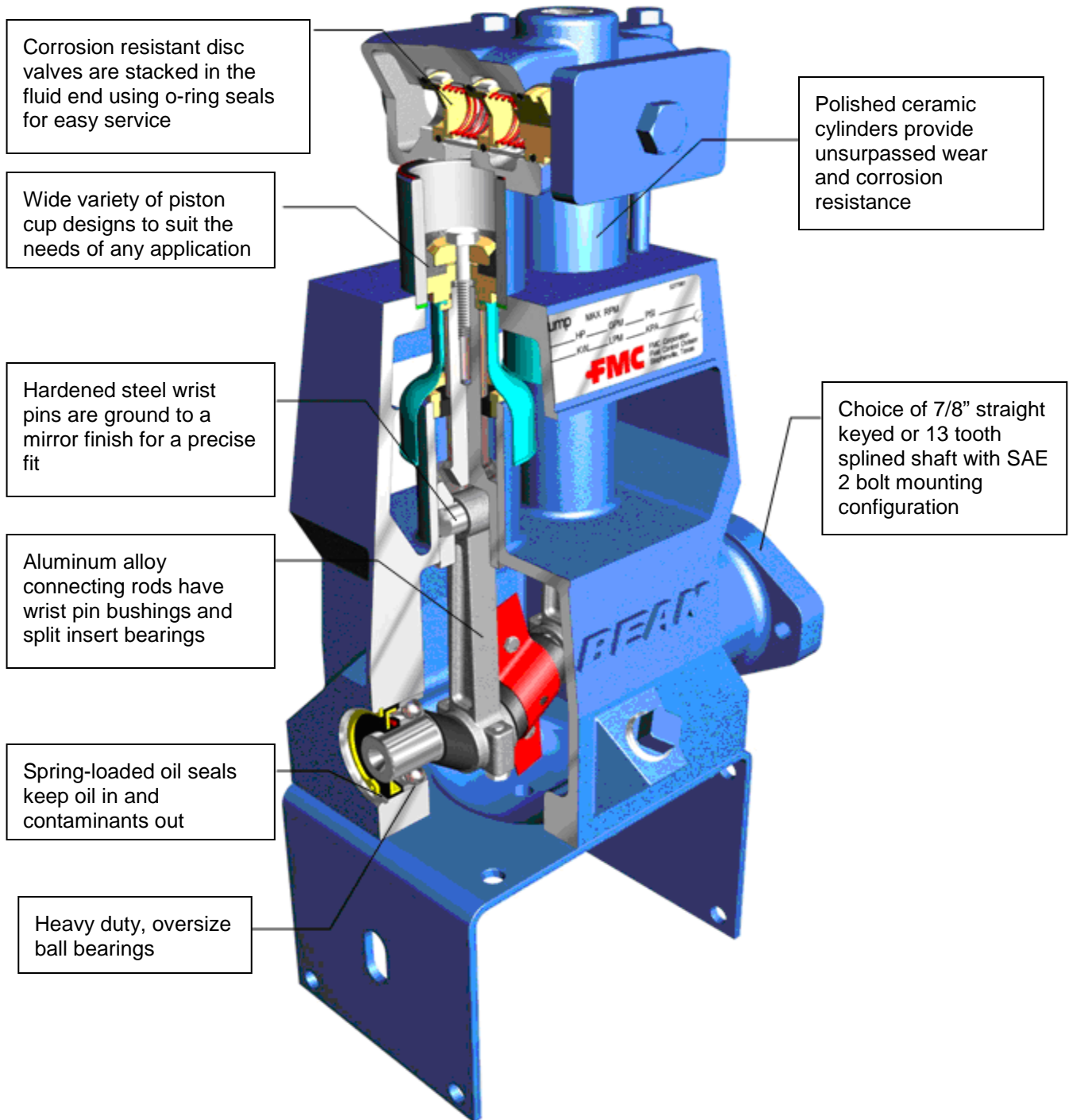


Figure 1: A04 Pump Features

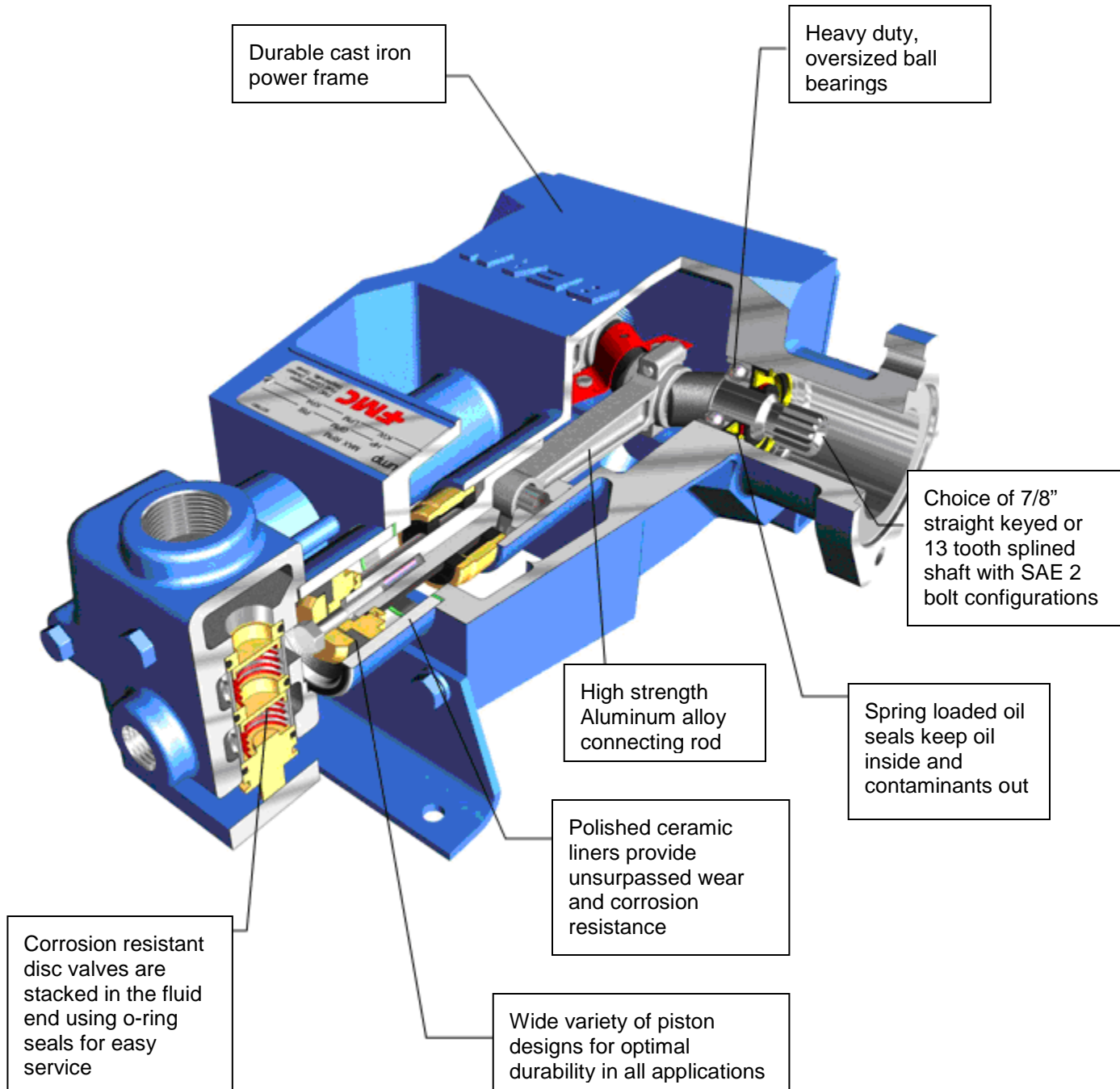


Figure 2: I04 Pump Features

The I04 pump is a horizontal version of the A04 pump. Virtually all of the same options are available for either pump.

2.0 Storage Instructions

Proper storage of your FMC pump will ensure that it is ready for service when needed. Follow the guidelines below that fit the requirements of your application.

FMC pumps come from the factory **without crankcase oil** and are prepared for storage periods of up to six (6) months in proper environmental conditions. Indoor storage in a dry, temperature-controlled location is always recommended. If pumps are to be stored short term (less than six (6) months) in a severe environment, they should be prepared using the procedures outlined in the “Short Term Storage for Severe Environments” section 3.2 below. Remember that any fluid that poses an environmental hazard or is toxic must be handled and disposed of properly.

2.1 Short Term Storage

If the pump is stored in an indoor, temperature controlled environment for less than six (6) months, no special steps are required to prepare it for storage. As a general rule for pumps in corrosive fluid applications, the fluid end should be drained, flushed with water or other non-corrosive cleanser and compressed air used to blow dry whenever idle.

2.2 Short Term Storage for Severe Environments

If the pump has been in service, drain any fluid from pump fluid end, flush the fluid end with water to clean out any of the remaining pumpage and blow dry with compressed air. Pour 1/4 cup of internal rust inhibitor oil described in Table 2, into the suction and discharge ports of fluid end, and then install pipe plugs in openings. Drain the power end (crankcase) oil and remove the oil fill pipe plug. Pour ¼ to ½ cup of internal rust inhibitor oil described in Table 2, into the oil fill hole and then install the filler pipe plug.

Coat all exposed, unpainted metal surfaces (for example, Driveshaft) with preservative oil. Replace the oil fill cap, and then cover the entire pump with a weather resistant covering such as a canvas or plastic tarp or bag.

2.3 Returning a Stored Pump to Operation

Before operating a pump that has been prepared for storage, drain the preservative and lubricating oil mixture from the power end (crankcase). Reinstall the drain plug, filler pipe plug, and any other components that were removed for storage. Once these steps have been completed, follow the normal pump start up procedures outlined in this manual.

2.4 Precautions during Freezing Weather

Freezing weather can cause problems for equipment when pumping water-based fluids that expand in volume when changing from a liquid to a frozen solid state. When water is left in a pump fluid end and exposed to freezing temperatures, the expansion of the water as it freezes can rupture the fluid cylinder or ceramic cylinders of the pump and

cause equipment damage. Injury may result when starting equipment that has been damaged.

Whenever the pump is stored or idle in conditions that are near or below freezing, any water based fluids should be removed from the pump. The best way to do this is to run the pump for a few seconds with the suction and discharge lines disconnected or open to atmosphere. This will clear the majority of the fluid from the pumping chamber as well as the suction and discharge manifolds. After the run, blow compressed air through the fluid end to remove all traces of fluid.

As an alternative to the previous procedure, a compatible antifreeze solution can be circulated through the fluid end. RV antifreeze, propylene glycol, is recommended for this purpose. Remember that any fluid that poses an environmental hazard or is toxic must be handled and disposed of properly.

3.0 Installation Guidelines

A proper installation is essential to optimal performance, long service life, and reduced maintenance requirements. Take time to thoroughly plan all aspects of your installation.

3.1 General Location

It is important to position the pump on as flat and level a surface as possible to assist the splash oil lubrication system. Park mobile equipment, such as sewer cleaner trucks or drilling machines, on as level a surface as possible. Locate the pump as close to the suction source as possible to allow for the shortest and most direct routing of the inlet piping.

3.2 Mounting Pump to Foundation and Power Source

For units that are V-belt driven, check the alignment of the sheaves after the unit is installed on its permanent mounting. Tighten belts to the proper tension as recommended by the belt manufacturer. Verify that the sheaves are in line and parallel to each other with a straight edge.



Never operate the pump without the belt guard securely installed.

CAUTION

For direct-coupled or spline-driven units, ensure that the shafts are centered and parallel when the driver is mounted to the pump. Follow the coupling manufacturer instructions for installation procedures and tolerances.



Never operate the pump without a shaft guard securely installed.

CAUTION

3.2.1 A04 Pump Mounting Guideline

The A04 pump must be mounted in a vertical position only. Secure the pump to the mounting surface using the holes provided in the pump base. The design of the A04 pump allows for the driveshaft to be rotated in either direction.

3.2.2 I04 Pump Mounting Guideline

The I04 pump must be mounted in a horizontal position only. Secure the pump to the mounting surface using the holes provided in the pump base. Check motor or engine rotation direction to ensure that the top of the pump drive shaft rotates towards the pump fluid end when in operation.

3.3 Suction Piping Recommendations

Poor suction piping practices are a very common source of pump problems. To ensure proper operation it is very important to follow good design practice in the installation of the suction system before the pump is operated. A small amount of additional planning and investment in the piping system usually provides for better pump performance and longer periods between service requirements. It is difficult to diagnose many pump problems without the aid of a suction pressure gauge. For this reason, FMC recommends that a gage always be installed in the suction line directly before it enters the pump.

The suction line from the fluid source to the pump should be as short and direct as possible. Use rigid piping, non-collapsible hose or a combination of both as circumstances require in your installation. The suction pipe size should be at least equal to or one size larger than the pump inlet. Long piping runs, low suction heads, or indirect pipe routing may require even greater oversizing of the suction line for proper operation of the pump. A suction pulsation dampener is recommended to reduce the effects of acceleration head to help when suction conditions are not optimal. In some cases it may be necessary to install a booster pump in the suction line of the pump to obtain sufficient pressure for the pump to operate successfully.

The suction line must be configured so there are no high spots in the line where air pockets can collect. These pockets may make the pump difficult to prime and cause rough, erratic operation. A drain valve or plug should be installed at the low point of the suction line to allow for draining before freezing conditions or for maintenance.

FMC recommends that all piping be supported independently of the pump. By supporting the piping this way, vibrations are reduced and stress on the pump is kept to a minimum. The use of elbows, nipples, unions, or other fittings should be minimized. Make sure that all joints and connections are airtight. Air leaks reduce the capacity of the pump and can result in cavitation, rough operation, and/or loss of prime. To help isolate mechanical and hydraulic vibrations, FMC recommends the use of flexible pipe couplings or hose connections between the pump and any rigid piping.

Always ensure that calculated system Net Positive Suction Head available, NPSHa, exceeds pump Net Positive Suction Head required, NPSHr, by at least 5 feet (1.5 meters) of water for proper operation of the pump. NPSH requirements for each pump model are provided on the product data sheets available through FMC or your authorized FMC reseller. FMC does not recommend using the pump in static lift conditions without prior factory approval.

3.4 Discharge Piping Recommendations

1. Route the discharge piping in as short and direct a route as possible. Use the same pipe size as the outlet of the pump. In installations where the discharge piping is in excess of 50 feet (15 meters) it is suggested to use the next larger size pipe to minimize friction losses downstream of the pump.

Table 1: MAWP for Steel Pipe

Allowable Working Pressure For Steel Pipe (PSI @ 100F)				
Pipe Size (inches)	Pipe Schedule Number			
	40	80	160	XX
3/8	1,700	3,800		
1/2	2,300	4,100	7,300	12,300
3/4	2,000	3,500	8,500	10,000
1	2,100	3,500	5,700	9,500

14.5 psi = 1 Bar



CAUTION

Always use pipe or hose that is designed for your particular pressure requirements. Inadequate pressure ratings can allow hose or pipe to fail, resulting in equipment damage and possibly personal injury. Normal hose pressure ratings are clearly marked on the outer surface of the hose. Working pressure ratings for steel pipe can be obtained from the manufacturer or from the chart shown in Table 1.

2. **Always use a pressure gauge in the pump discharge line.** A properly functioning gage mounted at the pump (and before any valves) is required to accurately determine the operating pressure of a pump and to conduct troubleshooting.
3. Ensure that all piping is supported independently of the pump to reduce vibrations and strain on the pump. Pulsation dampeners on the discharge are recommended to reduce pressure pulsation and resulting vibration. The use of elbows, nipples, unions, or other fittings should be kept to an absolute minimum. Avoid short radius 90° elbows; use two long radius 45° elbows instead. To help isolate mechanical and hydraulic vibrations, FMC recommends the use of flexible pipe couplings or hose connections between the pump and any rigid piping. The use of pulsation dampeners can also reduce hydraulic pulsation and resultant vibrations.
4. A properly adjusted pressure relief valve or rupture disc must be installed directly downstream of the pump to prevent damage or injuries resulting from over pressure or deadhead conditions. The relief valve discharge line must be as large as the pipe outlet of the relief valve. Never install valves in the relief valve discharge line or between the pump and relief valve. FMC recommends that the discharge be returned to the tank or drain, not back into the pump suction line.

3.5 Multiple Pump Systems

Special consideration must be taken to avoid vibration, pulsation, or uneven flow distribution problems when operating multiple reciprocating pumps using common suction and discharge piping headers. It is recommended that the user contact FMC or experienced industry consultants for assistance with the design of the system and pump installation in these situations.

4.0 How to Start a Pump



Always take special precautions when starting a pump for the first time or after any extended shutdown. Never assume that someone else has properly prepared the pump and system for operation. Always check each component of the system prior to every start-up.

CAUTION

1. Ensure that the drain plug(s) on the bottom of the pump crankcase have been installed and are tight. Ensure that the oil level sight glass, if equipped, has been properly installed.
2. Check the oil level to ensure that the pump is properly filled with non-detergent motor oil, gear lube, or a synthetic oil as described in Table 2, and that the oil has not been contaminated with water or other contaminants. NOTE: FMC pumps are shipped with no oil in the power frame and must be filled to the proper level with the proper grade of oil prior to start-up.
 - Pump model A04 requires 1 quart (0.95 liters) of oil
 - Pump model I04 requires 1 quart (0.95 liters) of oil
3. If accessible, check the piston rods to ensure that they are free from abrasive particles or debris.
4. Ensure that the pressure relief valve and all accessory equipment have been installed and properly adjusted. Verify that all joints are pressure tight.
5. Open the suction line valve to allow fluid to enter pump. Prime the fluid cylinder if necessary on the initial start up or after the system piping has been drained. The valve covers may have to be cracked open to assist with priming.



Do not loosen the valve covers with volatile or hazardous fluids.

CAUTION

6. Check to ensure that power is locked out and tagged out. Turn the pump over by hand if possible to ensure free, unobstructed operation.
7. Make sure that all guards are in place and secure. Verify that all personnel are in safe positions and that system conditions are acceptable for operation.
8. The pump is now ready to start. NOTICE: Whenever possible, use a bypass in the discharge line to allow the pump to start in the unloaded condition (no discharge and pressure). Slowly close the bypass line to bring the pump into full load conditions. Shut down immediately if the flow becomes unsteady, pressure fluctuates, or if unusual sounds or vibrations are noted.
9. Take temperature readings of the power end and stuffing boxes. Do not exceed 170°F (77°C) on power end.

5.0 Lubrication of Power End

5.1 Recommended Lubricants

Few factors can influence the life of a pump more than the power end lubricant (oil). Careful selection of the right type of oil for each particular application will help ensure optimal performance from an FMC pump.

The intent of this section is to state the general lubrication requirements for FMC pumps. Several products are listed by manufacturer name in the table below in order to aid the customer in locating suitable lubricants. The following listing is not exclusive, nor an endorsement of any particular product or manufacturer. Consult FMC for lubrication recommendations for applications that fall outside of the conditions listed in Table 2.



NOTE

Lubricant temperatures should not exceed 170°F (77 °C) for continuous duty or 180°F (82°C) for intermittent duty applications. Crank case temperatures that exceed these limits will cause the lubricant to prematurely “break down”. The result will be poor lubrication and failure of power end components.

5.2 Oil Changes

- Oil changes must be carried out after first 50 hours of operation, and subsequently after every 2000 hours or at least every 3 months. These intervals may be modified depending on actual operating conditions.
- Oil should be changed when hot to prevent build up of sludge deposits.
- It is advisable to check oil level daily. If more than 10% of the total capacity has to be added, check for oil leaks.
- Do not mix oils of different types, even if produced by the same manufacturer.
- Never mix mineral and synthetic oils.
- To avoid the risk of scalding or burns, pay attention to oil and power end temperature during an oil change.
- Follow environmental guidelines when changing and disposing of lubricants.

Table 2: Recommended Lubricant Chart

RECOMMENDED LUBRICANT CHART								
Type of Service	Ambient Temp	Mineral Oil Lubricant			Synthetic Lubricant *			
		SAE Grade	ISO Viscosity (cSt @ 40 C)	SSU Viscosity	Manufacturer Brand Name	SAE Grade	ISO Viscosity (cSt @ 40 C)	Manufacturer Brand Name
General Service	0 F to 100 F	30	100	550	Texaco® Meropa 100 Shell® Omala 100 Shell® Rotella T SAE 30 Exxon® XD-3 30 wt Mobil® Trans HD-30	5W-40	90.0@40 15.0@100	Shell® Rotella T Synthetic SAE 5W-40 Mobil® SCH 627
	NA					99.1@40 13.9@100		
High Ambient Temperature Service	100 F to 130 F	50	250	1165	Texaco® Meropa 68 Shell® Omala 220 Shell® Rotella T SAE 50 Exxon® HD-3 50 wt Mobil® Trans HD-50	5W-40	90.0@40 15.0@100	Shell® Rotella T Synthetic SAE 5W-40 Mobil® SCH 630
	NA					217@40 29.9@100		
Cold Ambient Temperature Service	0 F to -30 F	20	68	350	Texaco® Meropa 68 Shell® Omala 68 Shell® Rotella T SAE 20 Exxon® HD-3 20 wt Mobil® Trans HD-20	5W-40	90.0@40 15.0@100	Shell® Rotella T Synthetic SAE 5W-40 BP® Vanellus E8 ULTRA 5W-30 Mobil® SCH 626
	NA					69.9@40 10.9@100		
Frequent Start-Stop Operation		40	150	775	Texaco Meropa® 150			
SPECIALTY ITEMS								
Internal Rust Inhibitor					Cortec® VCI 329			
External Rust Preventative					Texaco® Metal Protective Oil L			

*Synthetic lubricants are suggested for high or low temperature service.

Cortec® is a registered trademark of Cortec Corporation, St. Paul, NM

6.0 Inspection and Preventative Maintenance Chart

Routine maintenance is an essential part of any successful pump installation. Properly maintained FMC pumps are designed to offer years of trouble-free service.

Regular maintenance and inspection will keep your pump operating at peak performance. FMC pumps have been carefully engineered to minimize maintenance requirements and simplify these tasks when they are required. Regular inspections allow operators to become familiar with normal pump operation so they can recognize the signals of potential problems and schedule maintenance. The maintenance chart in Table 3 shown below should be used as a guideline only. Many applications will require adjustment of the intervals shown in this chart for severe or unusual operating conditions.

Table 3: Maintenance Chart

Interval	Component	Service	Remarks
Break In Period	Crankcase Oil	Change	Drain and refill with new oil after first 50 hours of operation. Ensure that the magnetic drain plugs are cleaned to remove debris.
	Inlet Strainer	Inspect	Clean if Required. The amount of material in the strainer will determine the interval of cleaning.
Daily	Complete Pump	Inspect	General inspection of pump and system to check for proper operation of equipment.
	Piston cup sets	Inspect	Check the cylinder liner area of the pump for signs of leakage. Replace piston cups if leakage becomes excessive.
	Pump System	Flush	Required for shutdown when pumping fluids that may harden or corrode the pump if left inside once stopped.
	Crankcase Oil	Inspect	Ensure that the oil is at proper level and has not been contaminated by pumpage or condensation.
2,000 hours	Crankcase Oil	Change	Drain and refill with new oil. Clean magnetic drain plugs.
	Connecting Rod Bolts	Inspect	Check the connecting rod bolts with a torque wrench to ensure they are within specification. This should be done in conjunction with oil change.

7.0 Estimated Life of Wearing Components

The information given here is an estimate of the average wear life of listed components in clean liquid service. It is not a guarantee of life for any given application, but is intended to facilitate maintenance schedules and stocking of spares. The maintenance of the power end lubrication system will influence the life of the power end components. The speed of operation and percent of maximum allowable load will influence the life of both power end and fluid end parts. The temperature, abrasiveness, and lubricity of the liquid affect the life of fluid end expendables.

POWER END COMPONENT	ESTIMATED LIFE (Hours)
End Bearings (Roller or Ball)	40,000
Wrist Pin Bushings	20,000
Power End Cover Gasket	10,000
Connecting Rod Bearings	10,000
Oil Seal on Crankshaft or Pinion	10,000
Oil Seal on Piston (Pony) Rod	5,000

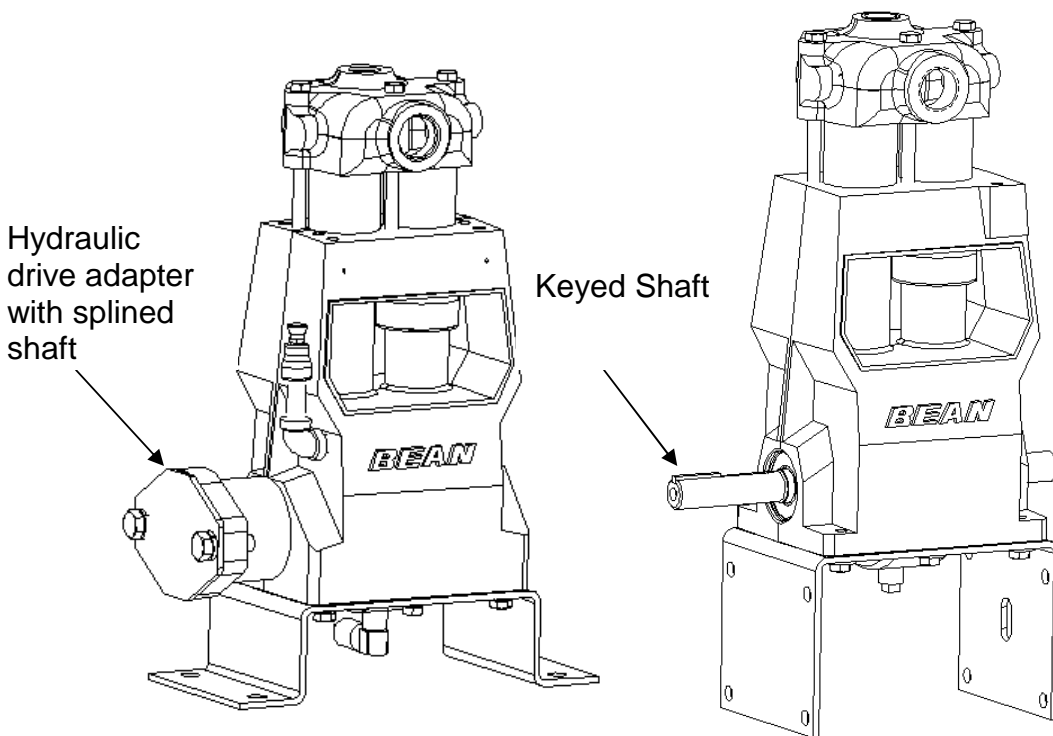
FLUID END COMPONENT	ESTIMATED LIFE (Hours)
Fluid Cylinder	16,000
Pistons	10,000
Valve Assembly	8,000
Ceramic Liners	3,000
Piston Cups	1,500

8.0 Component Parts List

A typical pump configuration is shown below for general reference purposes. This will aid in identifying components for service procedures outlined in the following sections.

To order service parts or see exact component configurations for your particular pump, contact your local FMC pump distributor or FMC if you do not have this information.

The A04 power end assembly (Figure 4) is shown with a hydraulic drive spine shaft connection and the I04 power end assembly (Figure 5) is shown with keyed shaft configuration. The A04 and I04 can have either style. The parts used for the different shaft configuration are similar between the A04 and I04 pumps.



8.1 A04 / I04 Fluid End

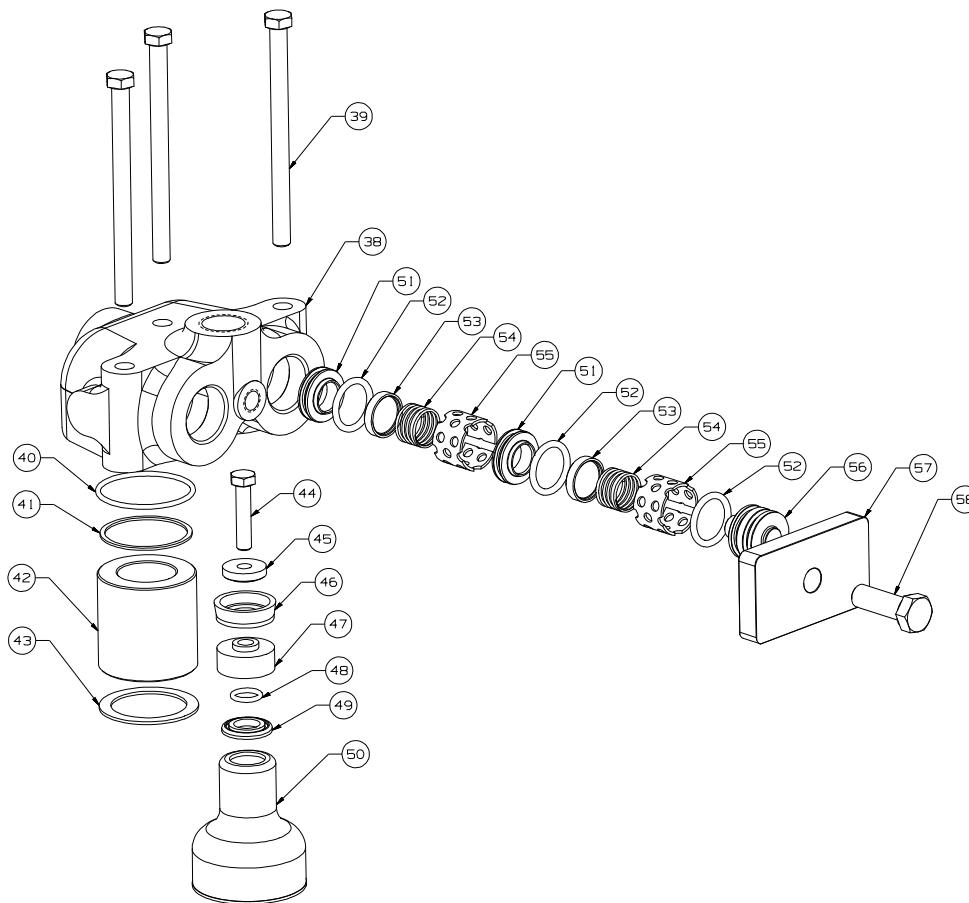


Figure 3: A04 / I04 Fluid End

8.2 A04 Power End (Vertically Mounted)

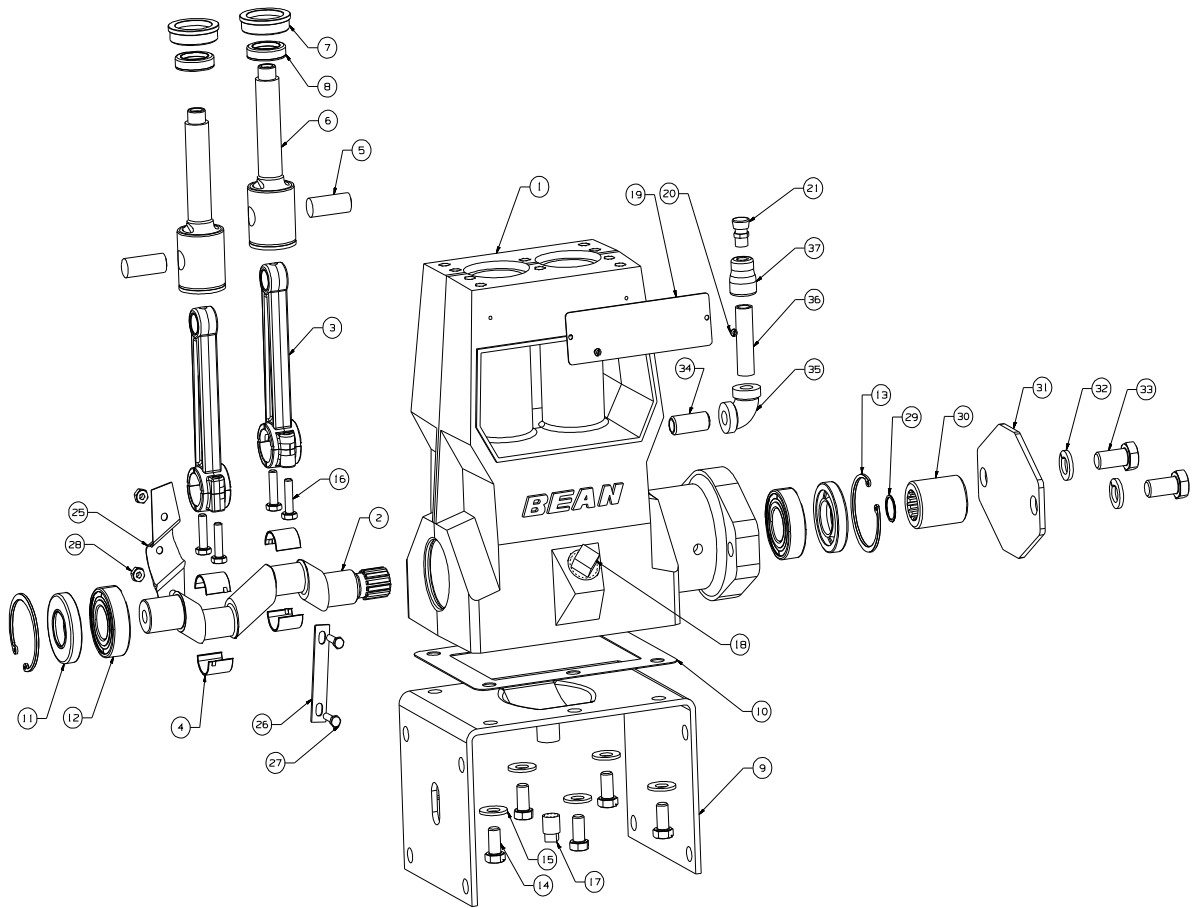


Figure 4: A04 Power End

8.3 I04 Power End (Horizontally Mounted)

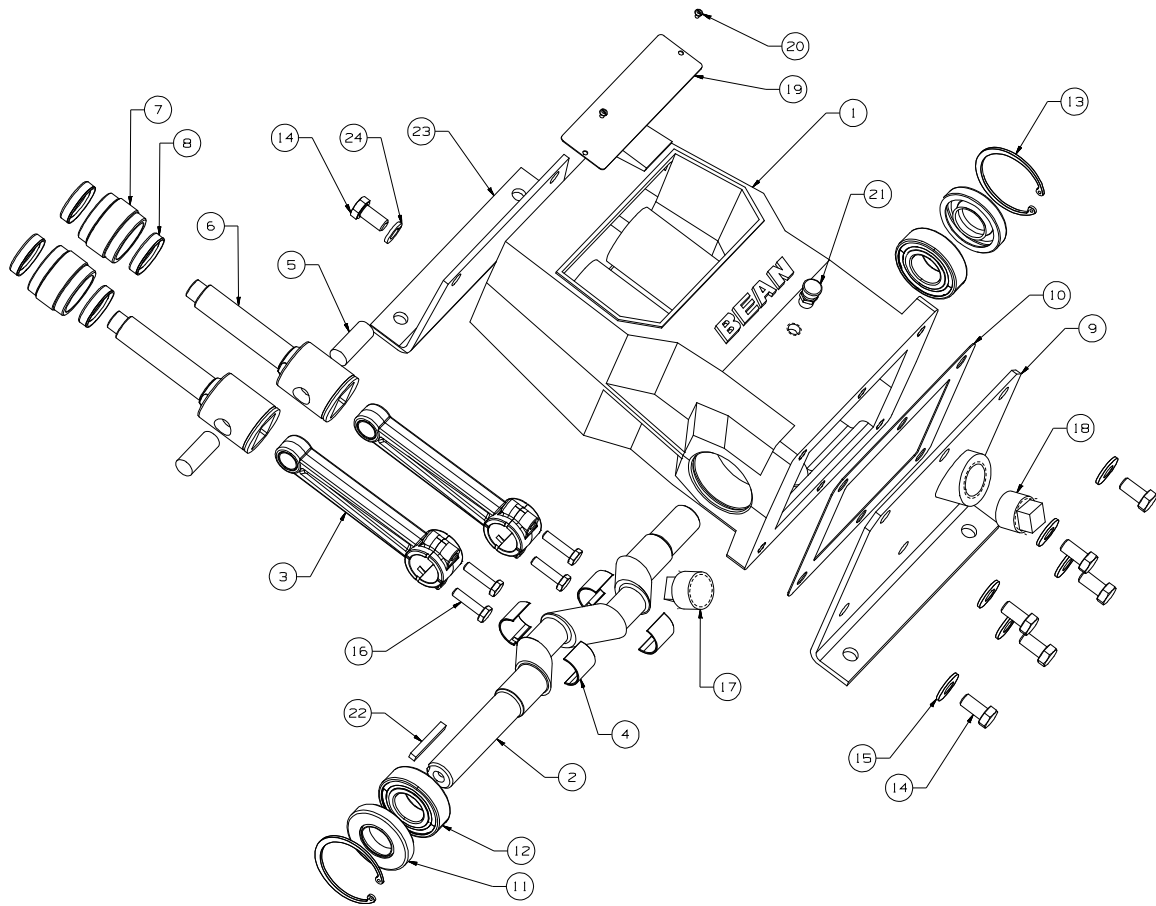


Figure 5: I04 Power End

Table 4: Component Parts List

Item No.	Component Description	Quantities for Each Model	
		A04	I04
1	Power Frame	1	1
2	Crank	1	1
3	Connecting Rod	2	2
4	Rod Bearing, half shell	4	4
5	Wrist Pin	2	2
6	Crosshead	2	2
7	Seal Holder	2	2
8	Seal, Pony Rod	2	4
9	Back Cover	1	1
10	Gasket, Back Cover	1	1
11	Oil Seal, Crankshaft	2	2
12	Ball Bearing	2	2
13	Retaining Ring	2	2
14	Cap Screw, Back Cover / Front Foot	6	8
15	Washer, Back Cover	6	6
16	Cap Screw, Connecting Rod	4	4
17	Pipe Plug, Drain	1	1
18	Pipe Plug, Fill	1	1
19	Name Plate	1	1
20	Self Tapping Screw	2	2
21	Lube Vent	1	1
22	Key*	1	1
23	Front Foot	N/A	1
24	Lock Washer, Front Foot	N/A	2
25	Oil Slinger	1	N/A
26	Bolting Strip, Oil Slinger	1	N/A
27	Cap Screw, Oil Slinger	2	N/A
28	Hex Nut, Oil Slinger	2	N/A
29	Retainer Ring**	1	1
30	Spline Adapter**	1	1
31	Protective Cover**	1	1
32	Lock Washer**	2	2
33	Cap Screw, Connection Flange**	2	2
34	Nipple, Lube Vent	1	N/A
35	Elbow, Lube Vent	1	N/A
36	Nipple, Lube Vent	1	N/A
37	Reducer, Lube Vent	1	N/A
38	Fluid Cylinder	1	1
39	Cap Screw, Fluid Cylinder	3	3
40	O-ring, Cylinder	2	2
41	Ring Seal, Cylinder	2	2
42	Cylinder	2	2
43	Gasket, Cylinder	2	2
44	Cap Screw, Piston	2	2
45	Piston Cup Washer	2	2
46	Piston Cup	2	2
47	Piston Cup Holder	2	2
48	O-ring, Piston	2	2
49	Washer, Umbrella	2	2
50	Umbrella	2	N/A
51	Valve Seat	4	4
52	O-ring, Valve Seat	6	6
53	Valve Disc	4	4
54	Spring	4	4
55	Valve Cage	4	4
56	Valve Cover	2	2
57	Valve Cover Clamp	1	1
58	Cap Screw, Valve Cover Clamp	1	1

*Used if pump is equipped with a keyed shaft.

**Used if pump is equipped with flanged adapter for hydraulic drive with spined shaft.

9.0 Service Procedures

FMC pumps are designed to simplify all required maintenance. The following sections illustrate step-by-step instructions for performing most common service procedures of a pump. Read each section before starting service work on the pump. Refer to 8.0 for location of components.



NOTE

The following graphics represent an A04 pump assembly. The procedures are also applicable to the I04 assembly. The main difference is that the A04 is a vertically positioned pump and the I04 is a horizontally positioned pump.

The service procedures outlined in this manual are intended to describe the more popular type of pump. Other configurations and minor design differences may exist with alternate pumps. Some procedures may require slight adaptations as a result.



WARNING

Many accidents occur every year through careless use or service of mechanical equipment. You can avoid hazards associated with high-pressure equipment by always following the safety precautions listed in Section 1.0.



WARNING

Ensure that all pressure inside the pump fluid cylinder has been bled off before starting any service work.

Ensure the power to the pump is off and disconnected. If applicable, it should be locked and tagged out.

9.1 Replacing Cup Pistons

1. Bleed off all pressure and ensure the pump power supply is off and is disconnected (Locked and Tagged out, if applicable).

2. Remove the fluid cylinder (38) from pump by removing the three cap screws (39) holding it to the power frame, then lift the fluid cylinder off the top of the ceramic cylinders (42).



3. Remove the ring seals (41) and o-rings (40) from the top of the cylinders or from the counter bores of the fluid cylinder.



4. Remove the cap screw (44) and piston cup washer (45) from each of the two cylinders.



5. Lift the ceramic cylinder (42) off the top of the power frame (1). Friction will usually keep the piston cup (46) inside the cylinder as it is removed. Once the cylinders and pistons are off the pump, take them to a bench and press them out from the top.



6. Remove the piston holder (47) and o-ring (48) from the crosshead shaft (6).

7. Inspect all o-rings, gaskets, seals, and other components for signs of damage or wear. Any damaged components should be replaced at this time. Inspect the ceramic cylinders for cracks or grooves by visual inspection and running thumbnail around the bore of the cylinder. Replace if grooves or cracks are detected. New piston cups will wear quickly if operated in cylinders with rough or grooved bores. Note: to provide maximum operational time between service, FMC recommends that both piston cups, not just the one that shows signs of leakage, be replaced whenever piston service is required.
8. Ensure that the umbrella fluid shield (50) is not damaged. A damaged umbrella could allow fluid to contaminate the power end oil. If the umbrella requires replacement, the best way to remove it from the pump is to cut it free with a sharp knife.

Note: I04 pumps are not equipped with umbrellas.

Note: it is recommended that all associated gaskets or o-rings be replaced at each piston cup service interval.

9. If new umbrellas (50) are required, fold the plastic as shown and insert through the opening of the crosshead bore of the power frame, and over the ends of the crosshead shaft. For easier installation of the umbrella, immerse in boiling water for 2-3 minutes to soften. Use caution to avoid burns or scalding when working with hot water.



10. Once the umbrellas are installed over the crosshead shaft, lift them up slightly and insert the umbrella washers (49) through the upper opening of the umbrella. Ensure the groove of the washer is facing up. Press top of umbrella down to seat it over the umbrella washer and crosshead shaft.

Note: I04 pumps are not equipped with umbrellas.



11. Place o-rings (48) and piston holders (47) in position on ends of crosshead shaft.
12. Place ceramic cylinders (42) and gaskets (43) in counterbore of power frame (1).
13. Apply light oil or glycerin around the OD of the piston cups (46), then place them in the open end of the cylinders. Use thumb to press the cups down firmly into the piston holder of each cylinder.
14. Insert the piston cup washers (45) into the cylinders with the ribbed side facing the piston cup.
15. Secure packing assembly using cap screws (44). Torque to specification per the Fastener Torque Table in Section 10.0 (reference Table 5).



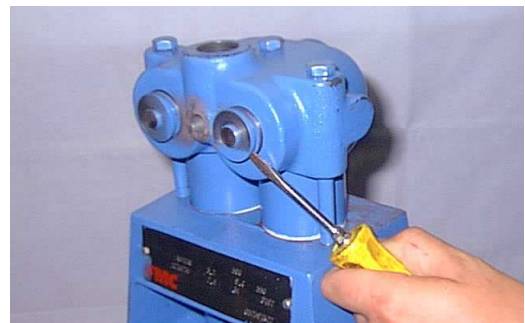
16. Insert top o-ring (40) and ring seal (41) in fluid cylinder counterbore using heavy oil or grease to hold in place.
17. Return fluid cylinder (38) to position over cylinders (42) and ensure that all seals are in place.
18. Replace fluid end cap screws (39). Torque cap screws in 3 stages to values shown in the Fastener Torque Table in Section 10.0 (reference Table 5).

9.2 Replacing Suction and Discharge Valves

1. Remove cap screw (58) and valve cover clamp (57) from the front of the fluid cylinder (38).



2. Insert the end of a standard screwdriver into the valve cover (56) groove and pry the valve cover away from the fluid cylinder (38).



3. Remove the valve cage (55) and discharge valve disc-spring assembly (53, 54) from both bores of the fluid cylinder (38).



4. Use a finger to reach through the opening at the center of the seat (51) and work the seat loose from the fluid cylinder bore. Note, the optional valve seat removal tool (FMC part number 1250638) may be used to simplify this procedure.



5. Use the same procedure to remove the suction valve cage (55), valve disc-spring (53, 54), and valve seat (51), which are located directly under the discharge valve seat.
6. Inspect all valve components and replace as necessary. Note that even small damage or erosion to the sealing area of the valve or the o-ring can adversely affect the performance of the pump.
7. With the o-ring (52) in place on each valve seat (51), place a few drops of light oil around the o-ring to aid in installation. Place a valve seat SQUARELY in the back of both counter bores of the fluid cylinder.
8. Place the valve cage (55) on the valve seat (51) and insert the disc-spring assembly (53, 54) inside of the cage on the valve seat.
9. Repeat the previous two steps to install the discharge valve seat and the discharge valve cage.
10. Place the valve covers (56), with o-rings (52) on the BOTTOM groove in place over the valve assembly.
11. Replace valve cover clamp (57) and cap screw (58) and torque to specification per Section 10.0. (Reference Table 5). Note: Over-tightening of the cap screw can damage the valve components.

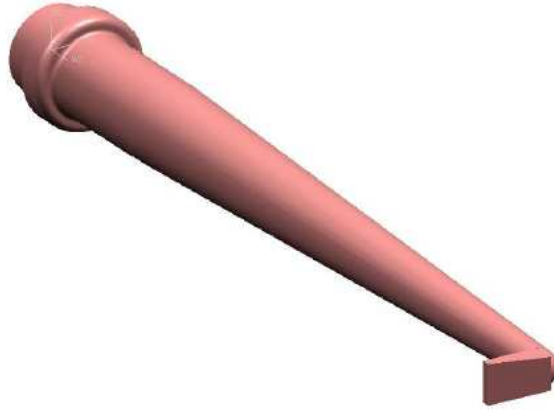


Figure 6: Valve Seat Removal Tool (1250638)

9.3 Servicing the Power End

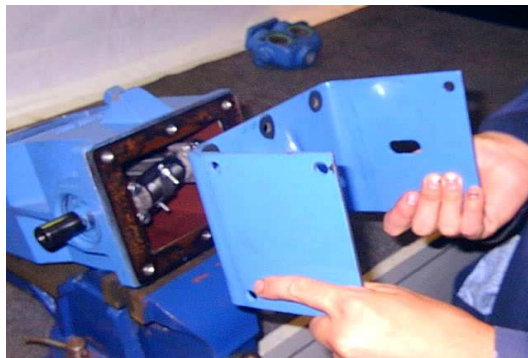


Ensure that all pressure inside the pump fluid cylinder has been bled off before starting any service work.

WARNING

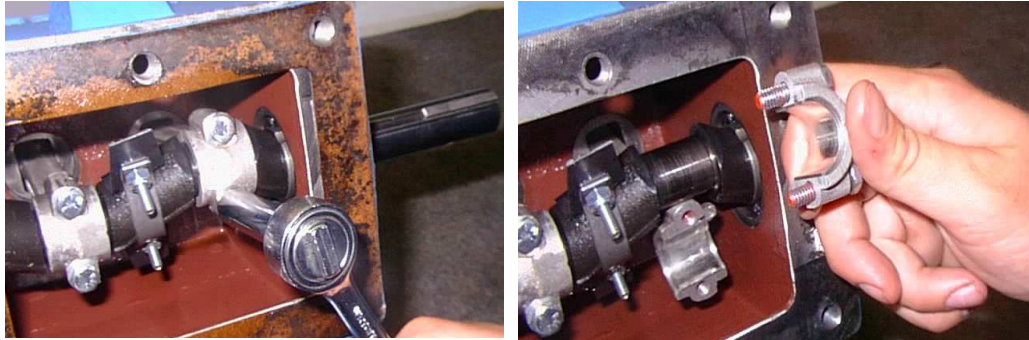
Ensure the power to the pump is off and disconnected. If applicable, it should be locked and tagged out.

1. Remove bottom drain pipe plug (17) and drain all oil from power frame.
2. Disconnect suction and discharge piping, power source, and remove pump from mounting base.
3. Although it is not required, it is easier to remove the crankshaft (2) if the fluid end and pistons have been removed. To remove the fluid end, follow steps 1-4 from section 9.1.
4. Remove the six hex head cap screws (14), washers (15), and mounting base (9) from rear of pump. When removing the mounting base from the pump, be careful not to damage oil seal gasket (10) as the mounting base is broken loose.



5. Remove cap screws (16) from the connecting rod assemblies (3) and take out the back half of the connecting rod shell bearing (4).

NOTE: Connecting rod halves are not interchangeable and must be reassembled in their original positions. Note the orientation of the machine markings on the connecting rod and cap.



6. Remove the oil slinger (25) from the crankshaft (2). (A04 model only)
7. Push the connecting rods (3) and crosshead assemblies (6) as far forward into the power frame as possible to provide clearance for the crankshaft.
8. Once the crankshaft is clear of the connecting rods, remove forward half of the split connecting rod bearing.
9. Use snap ring pliers to remove the crankshaft retainer snap ring (13) from each side of the pump.



10. Using a hammer and wood block or rubber mallet, drive the crank shaft (2) and bearings (12) out either side of the power frame.

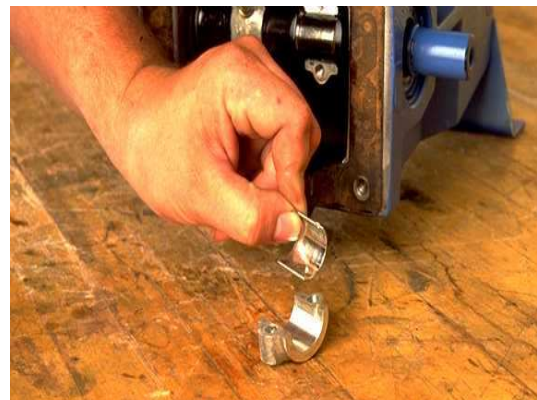


11. If bearing replacement is required, remove bearings from crankshaft using a press. Be sure to provide suitable support for the back side of the bearings during this step. Note: Never pound directly on the bearings or they may be damaged.
12. Once the crankshaft has been removed, the connecting rods and crossheads can be pulled from the back of the power frame opening.

13. The wrist pin (5) is a slip fit through the connecting rod (3) and crosshead (6). Check for signs of wear on the pin and connecting rod bushing. For critical clearance dimensions, see section 11.0 (Table 6). Replace the pin if noticeable wear is found. The complete connecting rod assembly must be replaced if the bushing is worn, as the wrist pin bushing is not field replaceable.



14. The split crankshaft shell bearings (4) should be replaced by inserting new half bearings in the connecting rod as shown.



15. When re-assembling the crossheads, wrist pins, connecting rods, and shell bearings, ensure that they are assembled in their exact former orientation and position.
16. Carefully clean and inspect all parts. Replace worn or damaged components as necessary.
17. Install the crosshead and connecting rod assemblies to their original position in the power frame.
18. Install crankshaft with bearings into the power frame.
19. Place the oil seals (11) over the ends of the crankshaft with the lip of the seals facing the inside of the power frame.
20. Seat the snap rings (13) in the grooves in the bearing housing against the oil seals and tap the crankshaft to allow a SLIGHT endplay in the crankshaft.
21. Reassemble the connecting rods and shell bearings around the crankshaft. The connecting rod and cap are a matched set. Be sure to properly match the connecting rods and caps back into their original position and orientation. Torque connecting rod bolts per the fastener torque requirements in Section 10.0 (Table 5).
22. Complete the reassembly by reversing steps 1-8. Torque back cover cap screws (14) per the fastener torque requirements in Section 10.0 (Table 5).
23. Re-install the drain pipe plug (17) to the back cover.
24. Refill the power frame with oil, and turn the shaft over several revolutions by hand. When piston cups are not installed the pump shaft should rotate freely. See instructions in Section 4.0 for oil type and filling directions.



The A04 and I04 pump models require 1 quart (0.95 liters) of oil.

NOTE

10.0 Fastener Torque Requirements

NOTICE: No pump service procedure is complete without insuring that the fasteners have been properly torqued. Failure to properly tighten the pump bolts could cause the pump to leak or possibly allow the pump to fail. Always use a calibrated torque wrench during the installation of all critical fasteners listed in Table 5 below. Values are in foot-pounds (Ft-lb) and Newton meters (N-m). Typical sizes are shown in Table 5.

Table 5: Torque Requirements

Item	Component	A04/I04		
Power End				
No.	Description	Size	Ft-lbs	(N-m)
1	Connecting Rod Bolts	0.250	7	9
2	Piston Assy Bolt	0.313	15	20
3	Back Cover Bolts	0.375	15	20
Fluid End				
4	Fluid End Attaching Bolts	0.375	25	34
5	Valve Cover Clamp Bolt	0.500	60	81

11.0 Critical Clearances

When maintenance requiring disassembly of the power end is performed, the following clearances should be checked to see if they are within factory specification or within maximum allowable limits. Additional clearance is allowed for component wear. This additional clearance is a maximum of .002 inches of total diametral wear that can be added to the clearance values in Table 6. For radial clearance, use ½ of the total diametral value.

All dimensions are shown in Inches.

Table 6: Critical Clearances

DESCRIPTION	A04 / I04
Crankshaft Throw Diameter (Stroke)	1.00
Crankshaft Pin or Journal (OD)	.8725/.8715
Connecting Rod / Crank Clearance (Max. Total)	.004
Crosshead Diameter (OD)	1.500/1.498
Crosshead Cylinder Bore (ID)	1.504/1.501
Crosshead to Bore Clearance (Max. Total)	0.006
Wrist Pin Bushing Bore (ID)	0.562/0.560
Wrist Pin to Bore Clearance (Max. Total)	0.0035

NOTE: Clearances shown are total diametral values: For radial clearance use ½ the value shown.

Metric Conversion: 1 inch = 25.4 mm

1 mm = 0.03937 inches

12.0 Trouble-Shooting Pumps

This chart is designed to aid in the solution of pump and pump system problems. Once the problem has been identified, work through the possible causes and solutions until the problem has been corrected.

SYMPTOM	POSSIBLE CAUSE	REMEDY
No flow from pump	<ul style="list-style-type: none"> -No liquid in reservoir (tank) -Inlet line valve closed -Inlet strainer is totally clogged with debris -Crankshaft is not turning 	<ul style="list-style-type: none"> -Ensure lines are connected and fill tank -Ensure lines are connected and open valve -Clean or replace strainer -Check for power to drive and drive connections
Insufficient pressure from pump (ONLY)	<ul style="list-style-type: none"> -Pump speed is too low -Relief valve improperly adjusted or worn -Insufficient system resistance (worn nozzle) -Worn check valves -Excessive leakage from pump seals 	<ul style="list-style-type: none"> -Check belt tightness or power to motor -Check relief valve and adjust setting -Properly service system -Inspect check valves and repair or replace -Adjust or replace packing or damaged parts
Insufficient flow from pump (ONLY)	<ul style="list-style-type: none"> -Pump speed is too low -Relief valve improperly adjusted or worn -Worn pump valves -Excessive leakage from pump seals -Piston worn -Valve seat washed out in fluid cylinder 	<ul style="list-style-type: none"> -Check belt tightness or power to motor -Check relief valve and adjust setting -Inspect pump valves and repair or replace -Replace piston cup or damaged parts -Replace piston or cylinder -Repair or replace fluid cylinder
Insufficient flow or pressure AND rough operation (pump pounds or vibrates)	<ul style="list-style-type: none"> -All pump cylinders not primed -By-pass or relief is piped back to suction -Inlet line too long or too small in diameter -Insufficient NPSHA -Air leaks in suction line or fittings -Vortex in tank near inlet pipe opening -Air entering booster pump -Pump valve stuck open or closed -Valve assembly damaged or unseated -Gas pocket formation from high spots in suction 	<ul style="list-style-type: none"> -Prime all chambers -Pipe back to reservoir (tank) -Increase suction pipe size -Provide more NPSH -Correct installation to stop leaks -Increase submergence or baffle to stop vortex -Correct installation of booster pump -Clean and deburr valve -Properly seat or repair valve -Correct suction line installation

Pump runs rough, knocks, or vibrates (ONLY)	<ul style="list-style-type: none"> -Broken or weak valve spring -Valve damaged or unseated -Loose piston, or rod -Low oil level in power end -Excessive connecting rod bearing clearance -Worn wrist pin or bearing -Pump running backward (I04 only) -Loose sheaves or bushings (v-belt drive) -Insufficient NPSHA -Excessive acceleration head in suction line -Pulsation dampener improperly charged -Inlet line too long or too small in diameter -Worn piston seal allows air ingress (usually observed when booster not used) 	<ul style="list-style-type: none"> -Replace valve spring -Repair/replace valve or re-seat -Tighten loose components -Fill to proper level -Check cap torque or replace bearings -Replace worn components -Correct rotation -Tighten loose components -Provide more NPSH -Install suction stabilizer -Charge to proper pressure -Increase suction pipe size -Replace piston seal
Rapid suction pressure fluctuation	<ul style="list-style-type: none"> -Pump cavitation -Air is entering suction line 	<ul style="list-style-type: none"> -Increase suction size or NPSH -Correct installation to stop leaks
Piping vibration	<ul style="list-style-type: none"> -Same as Pump runs rough above -Excessive pressure variation in discharge -Piping inadequately supported -Excessive short-radius elbows or tees 	<ul style="list-style-type: none"> -See above -Install discharge pulsation dampener -Install supports at proper locations -Correct installation to minimize turns and short-radius fittings
Pump requires excessive power	<ul style="list-style-type: none"> -Discharge pressure too high -Speed too high -Misaligned coupling -Belts too tight -Low motor voltage 	<ul style="list-style-type: none"> -Reduce system back-pressure or relief valve -Reduce speed -Correct alignment -Correctly adjust belt tension -Supply correct voltage
Power end overheats (over 180°F) and/or reduced power end component life	<ul style="list-style-type: none"> -Discharge and/or suction pressure too high -Oil level too high or too low -Contaminated power end oil -Incorrect oil viscosity or grade -Misaligned coupling -Belts too tight -Pump running backward (I04 only) -Pump located too close to heat source -Worn or damaged power end bearings 	<ul style="list-style-type: none"> -Reduce pressure or reduce piston and cylinder size -Adjust to correct oil level -Refill with clean oil & eliminate contamination -Fill with correct oil -Correct alignment -Correctly adjust belt tension -Correct rotation -Remove heat source or insulate power end -Replace damaged bearings
Crankshaft jerks or starts and stops rotation	<ul style="list-style-type: none"> -Drive belts loose and slipping (if equipped) -System relief valve pressure set too high -Discharge line blocked or partially blocked 	<ul style="list-style-type: none"> -Correctly adjust belt tension -Reduce relief valve pressure setting -Clear obstructions from piping system

Fluid leaking from pump	<ul style="list-style-type: none"> -Piston cups are worn -Piston to rod o-ring damaged -Fluid cylinder bolts not properly tightened -Fluid cylinder o-rings (or gaskets) damaged 	<ul style="list-style-type: none"> -Replace piston cup -Replace o-ring -Properly tighten and torque bolts -Replace damaged o-rings or gaskets
Reduced piston cup life	<ul style="list-style-type: none"> -Highly abrasive particles in fluid -Piston cups run dry -Incorrect cups for fluid type -Pump was run dry for extended time -Worn cup holder -Worn cylinder bore 	<ul style="list-style-type: none"> -Install strainer or filter -Correct problem & replace cup -Change to correct cup -Correct problem and replace cups -Replace cup holder -Replace cylinder
Reduced valve life	<ul style="list-style-type: none"> -Highly abrasive particles in fluid -Cavitation damage -Air leaking into suction line -Suction inlet insufficiently submerged -Relief valve or bypass piped to suction -Valve damaged by improper installation 	<ul style="list-style-type: none"> -Install strainer or filter -Correct problem and replace damaged valves -Correct problem -Increase submergence or baffle to stop vortex -Pipe back to reservoir (tank) -Replace damaged components
Cracked fluid cylinder or broken fluid end bolts	<ul style="list-style-type: none"> -Discharge pressure too high -Hydraulic shock (cavitation or entrained air) -Discharge valve stuck closed -Fluid freezing in fluid cylinder -Material or manufacturing defect -Bolt not properly torqued -Excessive piping loads on fluid end 	<ul style="list-style-type: none"> -Reduce system back pressure or relief valve -Correct piping system problem -Replace damaged components -Change procedure to drain fluid when cold -Replace defective component -Replace fluid cylinder and properly torque -Add supports to piping
Broken crankshaft or connecting rod	<ul style="list-style-type: none"> -Discharge pressure too high -Suction pressure too high -Fluid freezing in fluid end -Hydraulic shock due to cavitation -Material or manufacturing defect 	<ul style="list-style-type: none"> -Reduce system back pressure or relief valve -Reduce suction pressure or piston diameter -Change procedure to drain fluid when cold -Correct piping system problems -Replace defective components
Power end oil is contaminated	<ul style="list-style-type: none"> -Extended operation with failed piston cup -Hi-pressure wash wand near breather or seals -Pony rod seals or umbrella damaged 	<ul style="list-style-type: none"> -Replace piston cup and improve monitoring -Provide shields to protect breather and seals -Replace oil seals or umbrella

13.0 Ordering Parts

Service parts are available through FMC's worldwide network of distributors or from the original supplier for the equipment that the pump is a component of. If unsure where to purchase parts, contact FMC customer service for the location of an authorized parts retailer in your area.

Always insist on genuine FMC replacement parts.

Use the assembly drawing and bill of material included with this manual to determine the components and corresponding part numbers required to service the pump. Make sure that the part number on the drawing or bill of material matches the part number of the pump requiring parts.

When ordering parts, always reference the part number and serial number of the pump with the order. These numbers can be found stamped on the metal name tag affixed to the power end of every pump. By referencing these numbers you can ensure that the components you receive work as intended with your pump.

Be sure to inquire about any special service tools or complete maintenance kits.

14.0 Glossary of Commonly Used Terms

CAPACITY	The total volume throughput per unit of time at suction conditions. It includes both liquid and any dissolved or entrained gases. For all practical purposes this can be considered the volume flow rate in the suction pipe. The standard unit of pump capacity is U.S. gallons per minute (GPM) and metric cubic meters per hour (m ³ /hr).
CAVITATION	The state where fluid pressure drops below vapor pressure, causing the liquid to begin to change from a liquid to a gas and boil. Usually occurs in the chamber between the suction and discharge valves during the suction stroke, and often sounds like a mechanical knock. Cavitation results in the formation of gas bubbles, or cavities, in the fluid that cause vibration and damage to components when they collapse.
DAMPENER	A device that reduces pressure pulsations in the suction or discharge piping. This may be referred to as a suction stabilizer, accumulator, or surge suppressor.
DISPLACEMENT	The volume swept by all pistons or plungers per unit time. This term is typically expressed as gallons per revolution.
POWER END	The portion of the pump that converts supplied rotary motion into linear motion used by the Fluid End to move the pumpage.
MECHANICAL EFFICIENCY	Mechanical efficiency (ME) is the ratio, expressed as a percentage, of pump power output to the pump power input. The mechanical efficiency of reciprocating pumps is very high, typically 85% to 90%.
VOLUMETRIC EFFICIENCY	Volumetric efficiency (VE) is the ratio of actual pump capacity output to theoretical displacement. The volumetric efficiency is affected by the fluid being pumped and the discharge pressure.

FLOODED SUCTION	Implies that the level of liquid in the suction vessel is above the centerline of the suction port of the pump.
FLUID END	The portion of the pump that converts the linear motion supplied by the power end into fluid flow at pressure. This may also be called the Liquid End. It is called a valve chamber in old literature.
NPSHa	An abbreviation that stands for Net Positive Suction Head Available. NPSHA is the total suction pressure, including allowance for acceleration head, available from the system at the pump suction connection, minus the vapor pressure of the liquid at actual pumping temperature. NPSHA for a reciprocating pump is normally expressed in units of feet of water.
NPSHr	An abbreviation that stands for "Net Positive Suction Head Required". This is the minimum total inlet pressure required by the pump for proper operation. This value is a function of pump design and speed and is determined by the pump manufacturer through a specific NPSH test. NPSHA should exceed NPSHR by at least 5 feet.
PISTON	A type of power pump that uses a cylindrical seal (piston) mounted on a holder to drive fluid through the valves. The piston seal reciprocates within a stationary cylinder.
POWER PUMP	A reciprocating pump that drives the pumping element(s) using a slider crank mechanism. Power pumps are piston, plunger, or diaphragm type. All require a driver with a rotating shaft, such as a motor or engine, as a power source.
POWER FRAME	The major portion of a power pump that encloses and supports all other components of the power (or drive) end. It is called a pump case in old literature.
STROKE LENGTH	The length of one complete, unidirectional motion of the piston or plunger. Stroke length is usually expressed in inches.

PUMP VALVE

A check valve that allows flow of liquid in one direction. FMC pumps have a series of two valves, one suction (inlet) and one discharge, per pumping cylinder.

15.0 Reference Information

Use the following section to record key information about your specific pump model. Information such as part and serial numbers will be needed when ordering service parts. This data may be found stamped on the metal nameplate located on the pump power frame. This area may also be used to make notations about special parts, procedures, phone numbers, or other important information related to your pump.

Pump Model _____

Part Number _____

Serial Number _____

Rated Pressure _____

Rated Capacity _____

Rated Speed _____

Notes:

