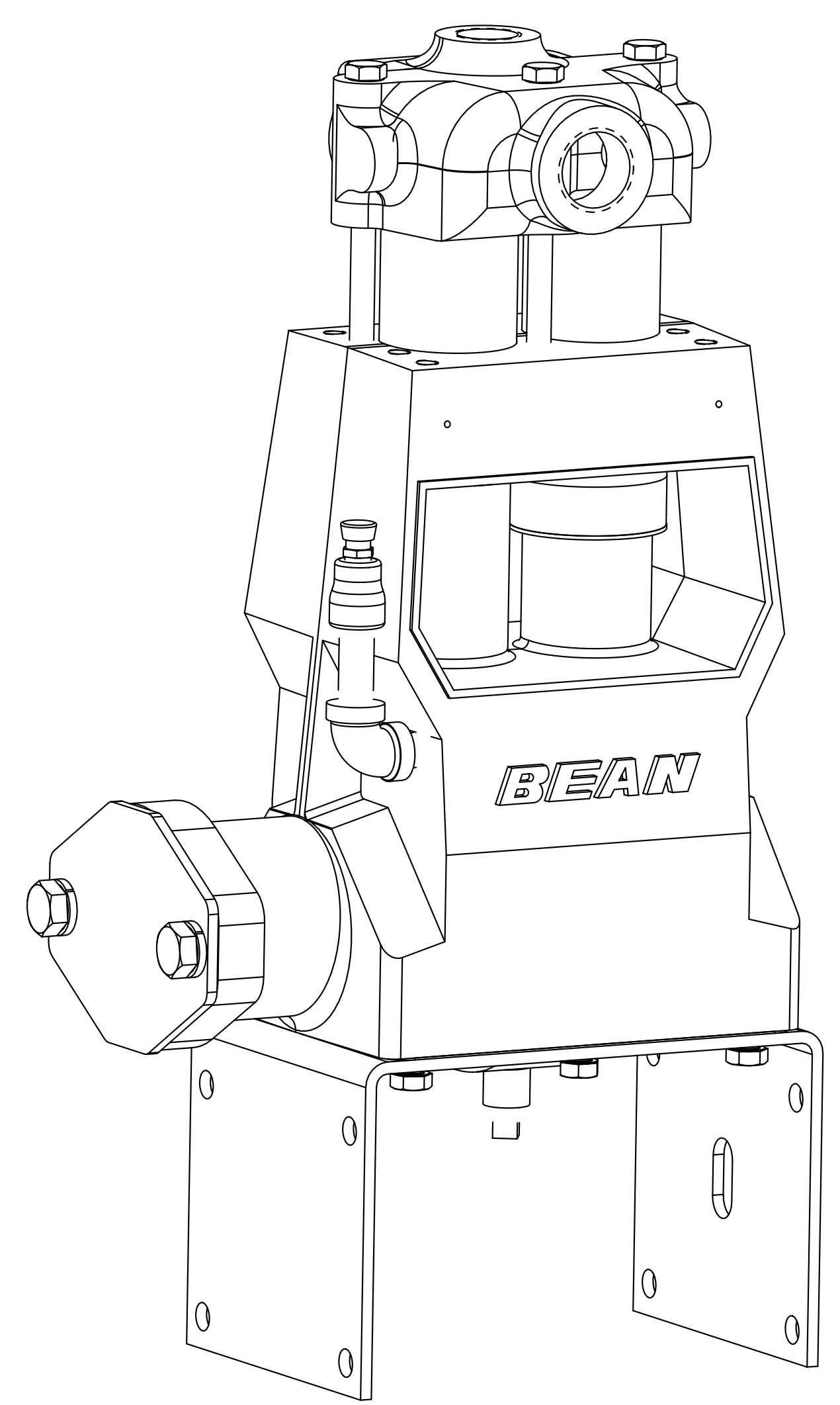


| ITEM | DESCRIPTION | QTY |
|------|---|-----|
| 1 | POWER END ASSEMBLY: | 1 |
| 2 | FLUID CYLINDER: | 1 |
| 3 | SPRING AND DISC ASSEMBLY: | 4 |
| 4 | SEAT: | 4 |
| 5 | CYLINDER: | 2 |
| 6 | PISTON CUP: | 2 |
| 7 | PISTON HOLDER: | 2 |
| 8 | VALVE COVER | 2 |
| 9 | VALVE COVER CLAMP | 1 |
| 10 | VALVE CAGE: | 4 |
| 11 | GASKET: VALVE COVER | 4 |
| 12 | UMBRELLA: F/E04 | 2 |
| 13 | WASHER: UMBRELLA | 2 |
| 14 | O-RING #112 | 2 |
| 15 | O-RING #213 | 6 |
| 16 | CUP WASHER: A04 | 2 |
| 17 | HHCS: .31 X 1.50LG | 2 |
| 18 | HHCS: .38 X 5.00LG | 3 |
| 19 | HHCS: 1/2 X 1.50LG | 1 |
| 20 | THREAD PROTECTOR: CAPPLUGS #T-12 (N.S.) | 1 |
| 21 | CAPPLUG INT 14 (N.S.) | 1 |
| 22 | NAMEPLATE: | 1 |
| 23 | SELF TAPPING SCREW: | 2 |

△ B
△ B

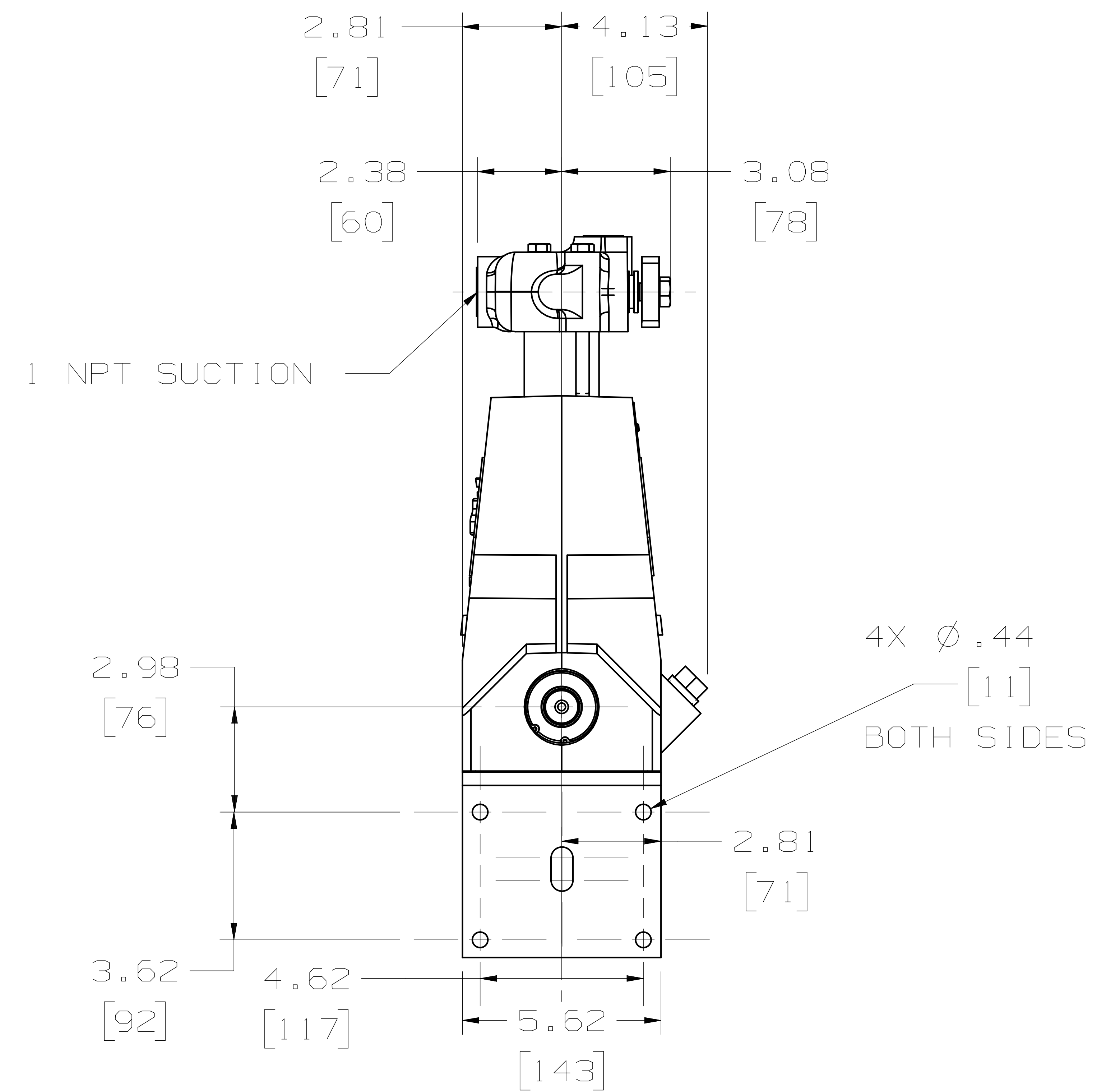
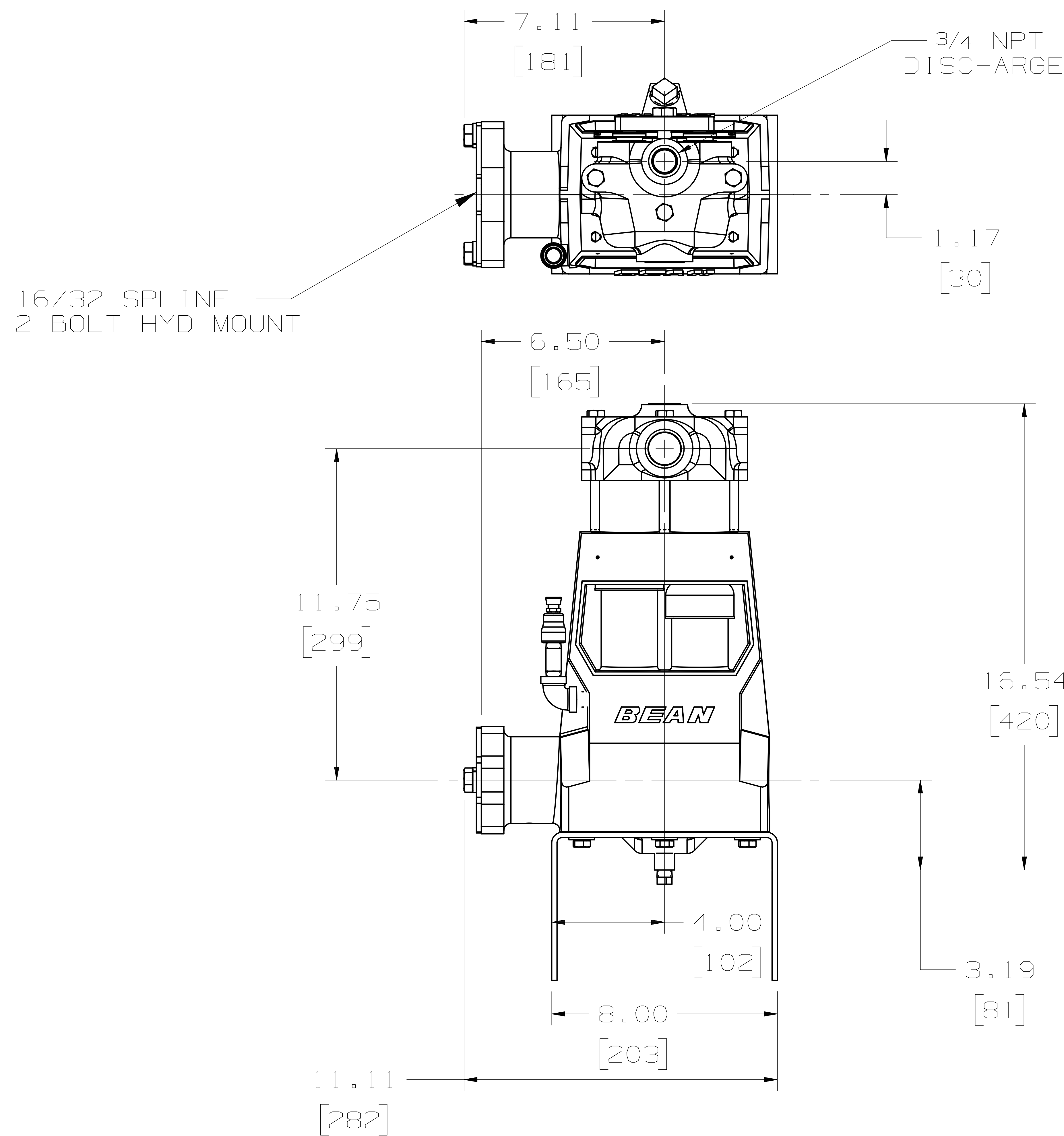


SECTION A-A

| | | | | | |
|--|---|--|---|--|----------------------|
| PRIVATE AND CONFIDENTIAL THIS DOCUMENT AND ALL THE INFORMATION CONTAINED HEREIN ARE THE CONFIDENTIAL AND EXCLUSIVE PROPERTY OF FMC TECHNOLOGIES AND MAY NOT BE REPRODUCED, USED, DISCLOSED, OR MADE PUBLIC IN ANY MANNER PRIOR TO EXPRESS WRITTEN AUTHORIZATION BY FMC TECHNOLOGIES. THIS DOCUMENT IS ACCEPTED PURSUANT TO AGREEMENT TO THE FOREGOING, AND MUST BE RETURNED UPON DEMAND. MANUFACTURER AGREES THAT ARTICLES MADE IN ACCORDANCE WITH THIS DOCUMENT SHALL BE CONSIDERED FMC TECHNOLOGIES' DESIGN, AND THAT IDENTICAL ARTICLES OR PARTS THEREOF SHALL NOT BE MANUFACTURED FOR THE USE OR SALE BY MANUFACTURER OR ANY OTHER PERSON OR ENTITY WITHOUT PRIOR EXPRESS WRITTEN AUTHORIZATION BY FMC TECHNOLOGIES. | UNLESS OTHERWISE SPECIFIED DO NOT SCALE THIS DRAWING ALL DIMENSIONS ARE IN INCHES (MM) BREAK SHARP EDGES .015 (1.381) MAXIMUM INSIDE CORNER RADIUS .030 (1.762) MAXIMUM THREADS CONFORM TO FEDERAL STANDARD H-28 TAPERED THREADS CONFORM TO API 6A BOLT HOLES MUST STRADDLE COMMON CENTERLINE FINISH 250 RMS ALL DIA'S CONCENTRIC WITHIN .010 (1.254) T.I.R. | TOLERANCE .x ... ± .030 (10.762) .xx ... ± .015 (10.381) .xxx ... ± .005 (10.127) ANGLE ... ± 0° 30' | DESCRIPTION PUMP ASSEMBLY: A0413 C RH, W/1 NPT X 3/4 NPT FLUID END, DISC VALVE ASSEMBLIES, SPLINED SHAFT, W/ HYD ADAPTER | DRAWN BY: WOLVERTON, JARROD | DATE: 04-FEB-2011 |
| | | | | DRAFTING CHECK: WOLVERTON, JARROD | DATE: 07-FEB-2011 |
| | | | | DESIGN REVIEW: MCCLAIN, MATHEW | DATE: 14-FEB-2011 |
| | | | | MANUFACTURING APPROVAL: APPROVED BY: SINGLETERRY, RONALD | DATE: 14-FEB-2011 |
| | | | | LATEST ECN NO. 5020526 | REV. B |
| | | | | DRAWING NUMBER DUS00011438 | SHEET 1/2 |

FMC Technologies

COPYRIGHT FMC TECHNOLOGIES



PRIVATE AND CONFIDENTIAL

THIS DOCUMENT AND ALL THE INFORMATION CONTAINED HEREIN ARE THE CONFIDENTIAL AND EXCLUSIVE PROPERTY OF FMC TECHNOLOGIES AND MAY NOT BE REPRODUCED, USED, DISCLOSED, OR MADE PUBLIC IN ANY MANNER PRIOR TO EXPRESS WRITTEN AUTHORIZATION BY FMC TECHNOLOGIES. THIS DOCUMENT IS ACCEPTED PURSUANT TO AGREEMENT TO THE FOREGOING, AND MUST BE RETURNED UPON DEMAND.

MANUFACTURER AGREES THAT ARTICLES MADE IN ACCORDANCE WITH THIS DOCUMENT SHALL BE CONSIDERED FMC TECHNOLOGIES' DESIGN, AND THAT IDENTICAL ARTICLES OR PARTS THEREOF SHALL NOT BE MANUFACTURED FOR THE USE OR SALE BY MANUFACTURER OR ANY OTHER PERSON OR ENTITY WITHOUT PRIOR EXPRESS WRITTEN AUTHORIZATION BY FMC TECHNOLOGIES.

ENGINEERING DIMENSIONAL OUTLINE

DESCRIPTION

PUMP ASSEMBLY; A0413 C RH, W/1 NPT X 3/4 NPT FLUID END, DISC VALVE ASSEMBLIES, SPLINED SHAFT, W/ HYD ADAPTER

| | |
|--------------------------------------|----------------------|
| DRAWN BY: WOLVERTON, JARROD | DATE: 04-FEB-2011 |
| DRAFTING CHECK: WOLVERTON, JARROD | DATE: 07-FEB-2011 |
| DESIGN REVIEW: MCCLAIN, MATHEW | DATE: 14-FEB-2011 |
| MANUFACTURING APPROVAL: | DATE: |
| APPROVED BY: SINGLETERRY, RONALD | DATE: 14-FEB-2011 |

FMC Technologies

| | |
|-------------------------------|--------------|
| LATEST ECN NO. 5020526 | REV. B |
| DRAWING NUMBER DU500011438 | SHEET 2/2 |

COPYRIGHT FMC TECHNOLOGIES