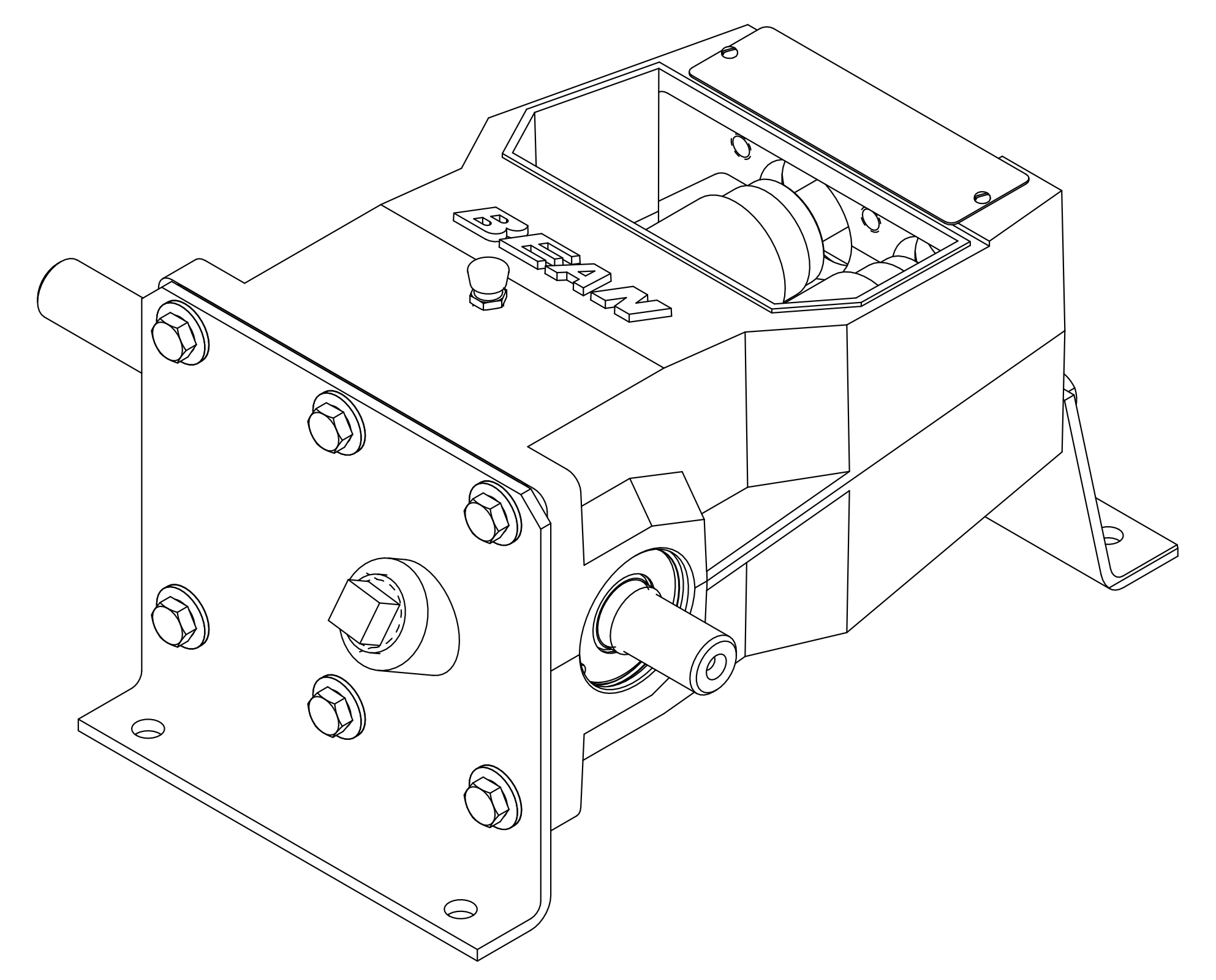
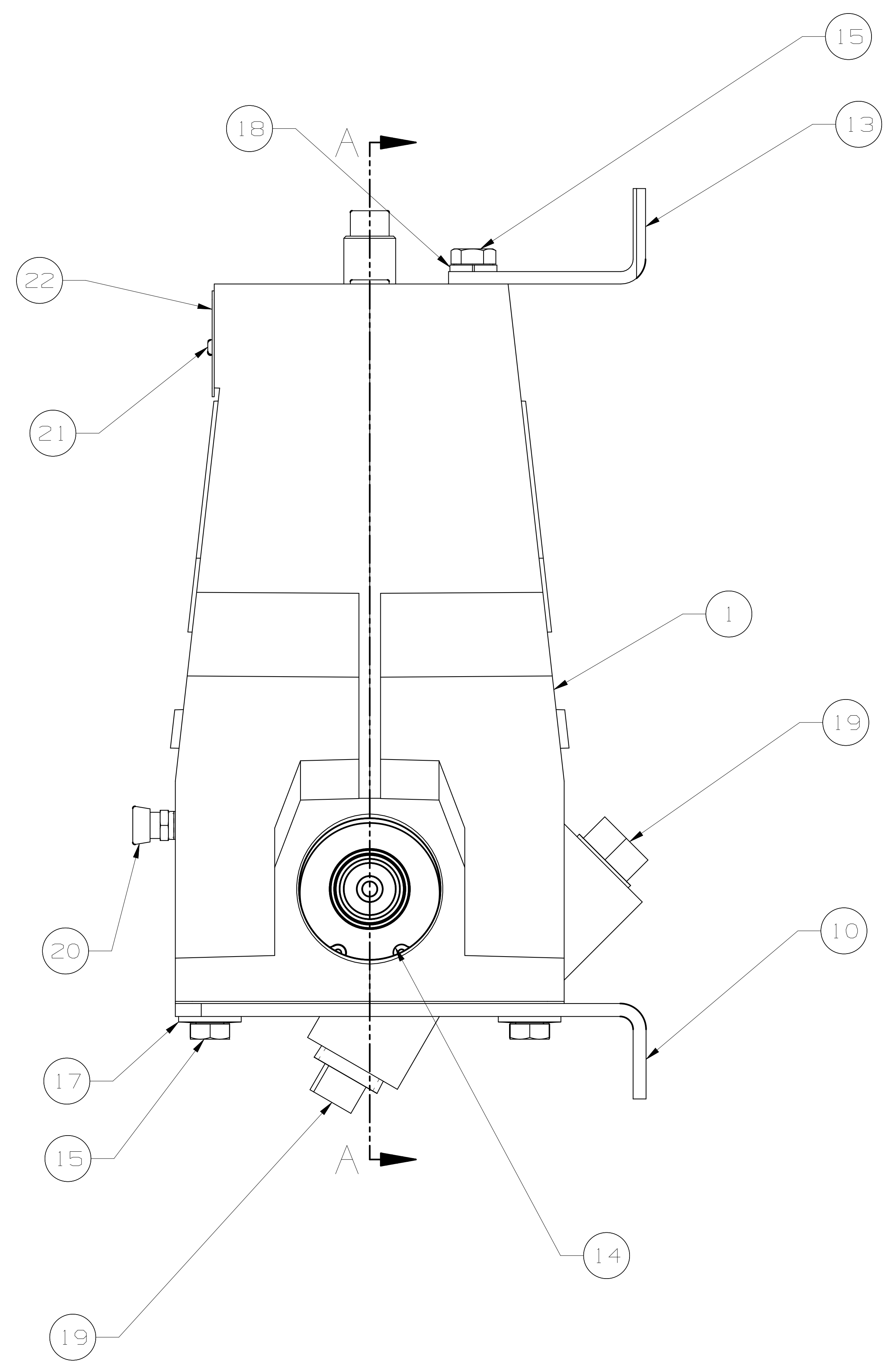


SECTION A - A



ITEM	DESCRIPTION	QTY
1	POWER FRAME:	1
2	CRANKSHAFT:	1
3	CONNECTING ROD ASSY:	2
4	ROD BEARING: HALF SHELL	4
5	WRIST PIN:	2
6	CROSSHEAD:	2
7	SEAL HOLDER:	2
8	SEAL: PONY ROD	4
9	SHAFT SEAL:	2
10	BACK COVER:	1
11	GASKET: BACK COVER	1
12	BALL BEARING:	2
13	FRONT FOOT:	1
14	RETAINING RING:	2
15	CAP SCREW: HEX HEAD, 3/8 X .75 LG	8
16	KEY: 3/16 SQ X 1.5 LG	1
17	BELLEVILLE WASHER:	6
18	LOCKING WASHER: 3/8	2
19	PIPE PLUG: SQ HD 3/4	2
20	LUBE VENT: 1/8 PTF	1
21	SELF TAPPING SCREW:	2
22	NAMEPLATE:	1

PRIVATE AND CONFIDENTIAL THIS DOCUMENT AND ALL THE INFORMATION CONTAINED HEREIN ARE THE CONFIDENTIAL AND EXCLUSIVE PROPERTY OF FMC TECHNOLOGIES AND MAY NOT BE REPRODUCED, USED, DISCLOSED, OR MADE PUBLIC IN ANY MANNER PRIOR TO EXPRESS WRITTEN AUTHORIZATION BY FMC TECHNOLOGIES. THIS DOCUMENT IS ACCEPTED PURSUANT TO AGREEMENT TO THE FOREGOING, AND MUST BE RETURNED UPON DEMAND. MANUFACTURER AGREES THAT ARTICLES MADE IN ACCORDANCE WITH THIS DOCUMENT SHALL BE CONSIDERED FMC TECHNOLOGIES' DESIGN, AND THAT IDENTICAL ARTICLES OR PARTS THEREOF SHALL NOT BE MANUFACTURED FOR THE USE OR SALE BY MANUFACTURER OR ANY OTHER PERSON OR ENTITY WITHOUT PRIOR EXPRESS WRITTEN AUTHORIZATION BY FMC TECHNOLOGIES.	UNLESS OTHERWISE SPECIFIED DO NOT SCALE THIS DRAWING ALL DIMENSIONS ARE IN INCHES (MM) BREAK SHARP EDGES .015 (1.381) MAXIMUM INSIDE CORNER RADIUS .030 (1.762) MAXIMUM THREADS CONFORM TO FEDERAL STANDARD H-28 TAPERED THREADS CONFORM TO API 6A BOLT HOLES MUST STRADDLE COMMON CENTERLINE FINISH 250 RMS ALL DIA'S CONCENTRIC WITHIN .010 (1.254) T.I.R.	TOLERANCE .X -- ± .030 (1.762) .XX -- ± .015 (1.381) .XXX -- ± .005 (1.27) ANGLE -- ± 30°	DESCRIPTION POWER END ASSEMBLY: 104 RH, MOUNTING FEET	DRAWN BY: STILES, MICHAEL	DATE: 28-JAN-2008	FMC Technologies
				DESIGN REVIEW: SINGLETERRY, RONALD	DATE: 20-MAY-2009	
				MANUFACTURING APPROVAL: CRUZ, GEORGE	DATE: 13-JAN-2009	LATEST: 5019614 REV: B
				APPROVED BY: LYON, TIM	DATE: 26-MAY-2009	DRAWING NUMBER: DU500005515 <small>COPYRIGHT FMC TECHNOLOGIES</small>