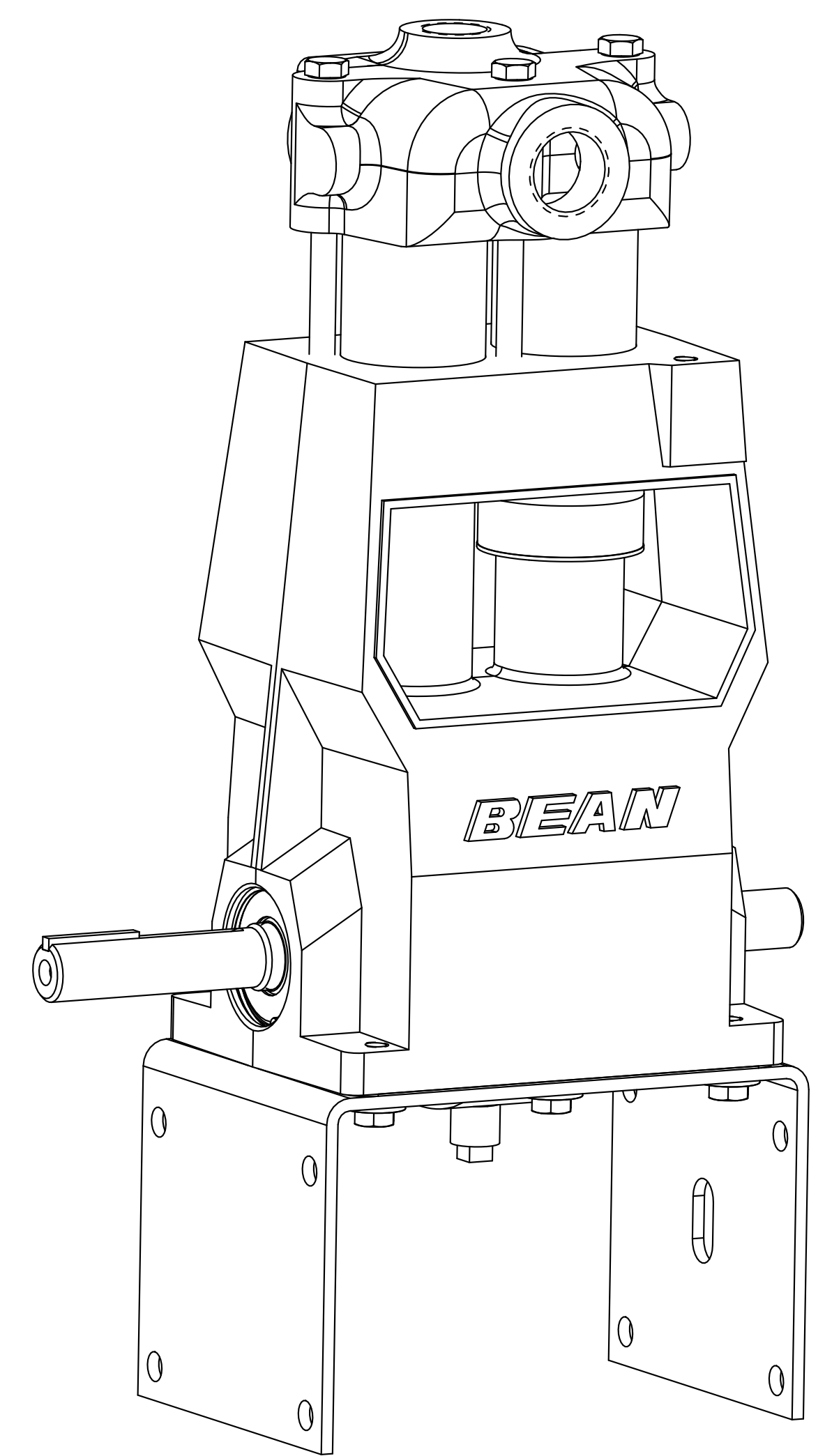
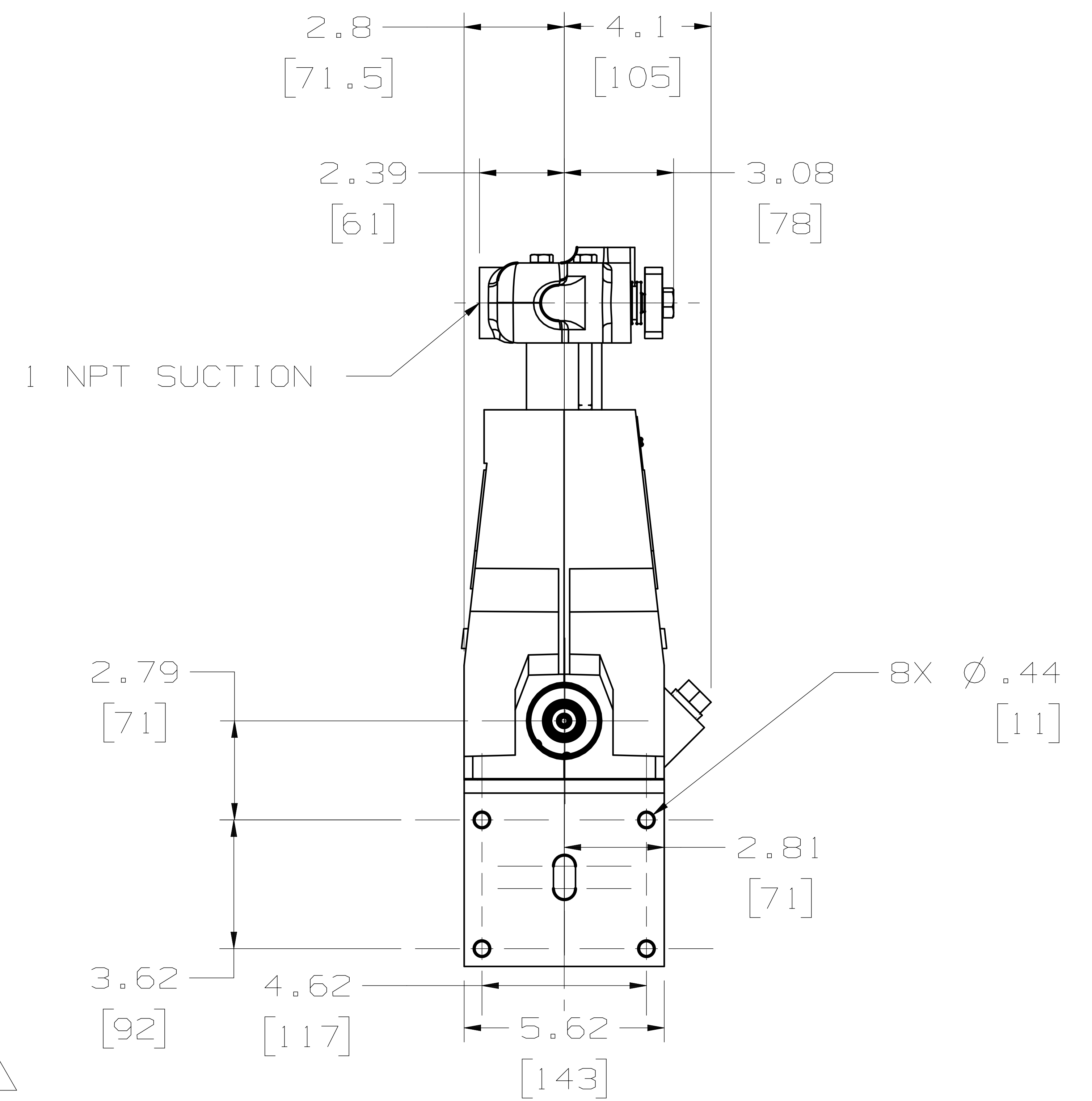
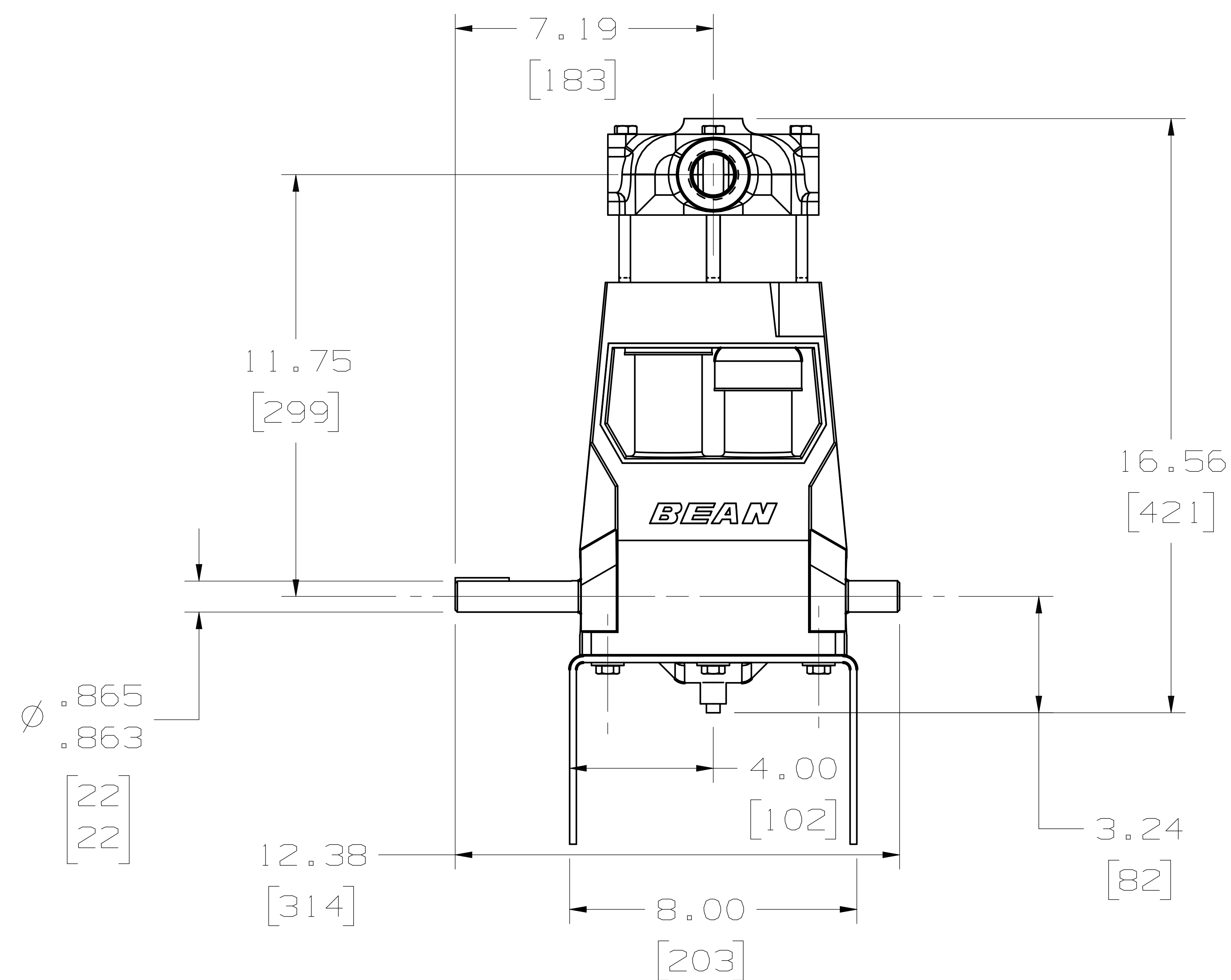
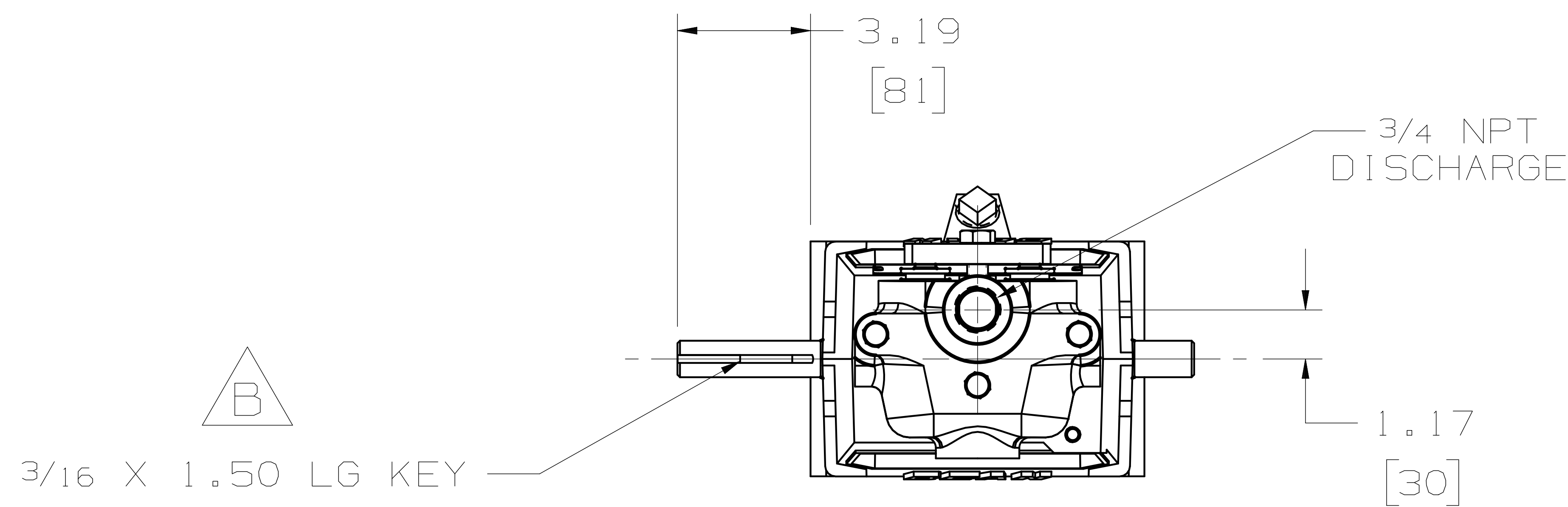


ITEM	DESCRIPTION	QTY
1	POWER END ASSEMBLY:	1
2	FLUID CYLINDER:	1
3	SPRING AND DISC ASSEMBLY:	4
4	SEAT:	4
5	UMBRELLA: F/E04	2
6	WASHER: UMBRELLA	2
7	CUP WASHER: A04	2
8	VALVE CAGE:	4
9	CYLINDER:	2
10	PISTON CUP:	2
11	PISTON HOLDER:	2
12	VALVE COVER	2
13	VALVE COVER CLAMP	1
14	GASKET: VALVE COVER	4
15	CAPSCREW: HEX HD, 5/16" X 1.50 LG	2
16	CAPSCREW: HEX HD, 3/8" X 5.00 LG	3
17	CAPSCREW: HEX HD, 1/2" X 1.50 LG	1
18	O-RING #015	2
19	O-RING #213	6
20	CAPLUG INT 14 (NOT SHOWN)	1
21	THREAD PROTECTOR: CAPPLUGS #T-12 (N.S.)	1



<p><b>PRIVATE AND CONFIDENTIAL</b></p> <p>THIS DOCUMENT AND ALL THE INFORMATION CONTAINED HEREIN ARE THE CONFIDENTIAL AND EXCLUSIVE PROPERTY OF FMC TECHNOLOGIES AND MAY NOT BE REPRODUCED, USED, DISCLOSED, OR MADE PUBLIC IN ANY MANNER PRIOR TO EXPRESS WRITTEN AUTHORIZATION BY FMC TECHNOLOGIES. THIS DOCUMENT IS ACCEPTED PURSUANT TO AGREEMENT TO THE FOREGOING, AND MUST BE RETURNED UPON DEMAND.</p> <p>MANUFACTURER AGREES THAT ARTICLES MADE IN ACCORDANCE WITH THIS DOCUMENT SHALL BE CONSIDERED FMC TECHNOLOGIES' DESIGN, AND THAT IDENTICAL ARTICLES OR PARTS THEREOF SHALL NOT BE MANUFACTURED FOR THE USE OR SALE BY MANUFACTURER OR ANY OTHER PERSON OR ENTITY WITHOUT PRIOR EXPRESS WRITTEN AUTHORIZATION BY FMC TECHNOLOGIES.</p>	<p><b>UNLESS OTHERWISE SPECIFIED</b></p> <p>DO NOT SCALE THIS DRAWING</p> <p>ALL DIMENSIONS ARE IN INCHES (MM)</p> <p>BREAK SHARP EDGES .015 (1.381) MAXIMUM</p> <p>INSIDE CORNER RADIUS .030 (1.762) MAXIMUM</p> <p>THREADS CONFORM TO FEDERAL STANDARD H-28</p> <p>TAPERED THREADS CONFORM TO API 6A</p> <p>BOLT HOLES MUST STRADDLE COMMON CENTERLINE</p> <p>FINISH 250 RMS</p> <p>ALL DIA'S CONCENTRIC WITHIN .010 (1.254) T.I.R.</p>	<p><b>TOLERANCE</b></p> <p>.X -- ± .030 (1.762)</p> <p>.XX -- ± .015 (1.381)</p> <p>.XXX -- ± .005 (1.271)</p> <p>ANGLE -- 30°</p>	<p>DESCRIPTION: PUMP ASSEMBLY; A0413C RH, W/1 NPT X 3/4 NPT FLUID END, PISTON, DISC VALVE ASSEMBLIES</p>	<p>DRAWN BY: GILDER, TOBY</p> <p>DATE: 19-FEB-2009</p>	<p><b>FMC Technologies</b></p> <p>REV. B</p> <p>DU500008228</p> <p>COPYRIGHT FMC TECHNOLOGIES</p>
				<p>DRAFTING CHECK: LOUDERMILK, STEVE</p> <p>DATE: 06-JAN-2010</p>	
				<p>DESIGN REVIEW: SINGLETERRY, RONALD</p> <p>DATE: 19-JAN-2010</p>	
				<p>MANUFACTURING APPROVAL: CRUZ, GEORGE</p> <p>DATE: 11-JAN-2010</p>	
<p>APPROVED BY: LYON, TIM</p> <p>DATE: 15-FEB-2010</p>	<p>LATEST: 5021873</p> <p>DRAWING NUMBER: DU500008228</p>				



PRIVATE AND CONFIDENTIAL

THIS DOCUMENT AND ALL THE INFORMATION CONTAINED HEREIN ARE THE CONFIDENTIAL AND EXCLUSIVE PROPERTY OF FMC TECHNOLOGIES AND MAY NOT BE REPRODUCED, USED, DISCLOSED, OR MADE PUBLIC IN ANY MANNER PRIOR TO EXPRESS WRITTEN AUTHORIZATION BY FMC TECHNOLOGIES. THIS DOCUMENT IS ACCEPTED PURSUANT TO AGREEMENT TO THE FOREGOING, AND MUST BE RETURNED UPON DEMAND.

MANUFACTURER AGREES THAT ARTICLES MADE IN ACCORDANCE WITH THIS DOCUMENT SHALL BE CONSIDERED FMC TECHNOLOGIES' DESIGN, AND THAT IDENTICAL ARTICLES OR PARTS THEREOF SHALL NOT BE MANUFACTURED FOR THE USE OR SALE BY MANUFACTURER OR ANY OTHER PERSON OR ENTITY WITHOUT PRIOR EXPRESS WRITTEN AUTHORIZATION BY FMC TECHNOLOGIES.

ENGINEERING  
DIMENSIONAL  
OUTLINE

DESCRIPTION  
PUMP ASSEMBLY; A0413C  
RH, W/1 NPT X 3/4 NPT  
FLUID END, PISTON, DISC  
VALVE ASSEMBLIES

DRAWN BY: GILDER, TOBY	DATE: 19-FEB-2009
DRAFTING CHECK: LOUDERMILK, STEVE	DATE: 06-JAN-2010
DESIGN REVIEW: SINGLETERRY, RONALD	DATE: 19-JAN-2010
MANUFACTURING APPROVAL: CRUZ, GEORGE	DATE: 11-JAN-2010
APPROVED BY: LYON, TIM	DATE: 15-FEB-2010

**FMC Technologies**

LATEST ECN NO.	5021873	REV.	B
DRAWING NUMBER			
DU500008228			

COPYRIGHT FMC TECHNOLOGIES